



BRAKE PAD

P 65 046

The P 65 046 brake pad is synonymous with reliability

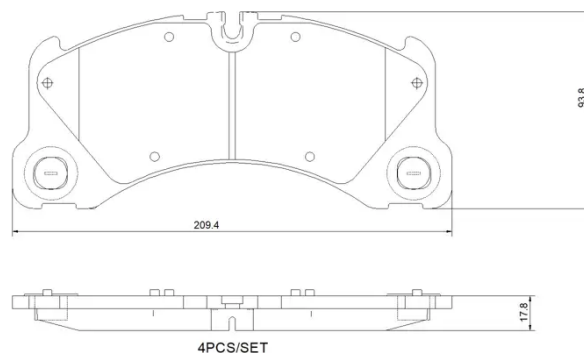
The Brembo brake pad guarantees ultimate safety when braking thanks to the use of more than 100 different compounds, designed according to the type of vehicle and use. Stopping distances reduced to a minimum, maximum driving comfort and silent operation are the most important features of Brembo materials. Brembo brake pads are supplied together with an extensive range of accessories and assembly kits for professional-standard installation.

- ✓ OE-equivalent
- ✓ Brembo quality
- ✓ ECE-R90 certificate
- ✓ Safety
- ✓ Performance
- ✓ Comfort



Technical specifications

EAN code	Axle	Thickness
8020584118061	Front	17 mm
Width	Height	
210 mm	95 mm	
Wear indicator	WVA number	Accessories
Prepared for wear indicator	21524	With anti-squeal shim



COMPATIBLE VEHICLES

COMPATIBLE OE PART NUMBERS

95B698151AK	PORSCHE
-------------	---------

95B698151AP	PORSCHE
-------------	---------

971698151AB	PORSCHE
-------------	---------

971698151AE	PORSCHE
-------------	---------

971698151S	PORSCHE
------------	---------

9Y0698151AP	PORSCHE
-------------	---------

9Y0698151P	PORSCHE
------------	---------

9Y0698151S	PORSCHE
------------	---------