



BRAKE DISC

08.5878.10

The **08.5878.10** brake disc is synonymous with reliability

The Brembo brake disc is fully interchangeable with an Original Equipment brake disc. The control of the entire production cycle allows Brembo to offer brake discs with outstanding performance levels, reliability, durability and comfort in all conditions of use. All Brembo brake discs are accompanied by the ECE-R90 homologation.

- ✓ OE-equivalent
- ✓ Brembo quality
- ✓ ECE-R90 certificate
- ✓ Safety
- ✓ Fastening screws



Technical specifications



EAN code
8020584587812

Axle
Front

Diameter \varnothing
234 mm

Thickness (TH)
11 mm

Height (A)
47 mm

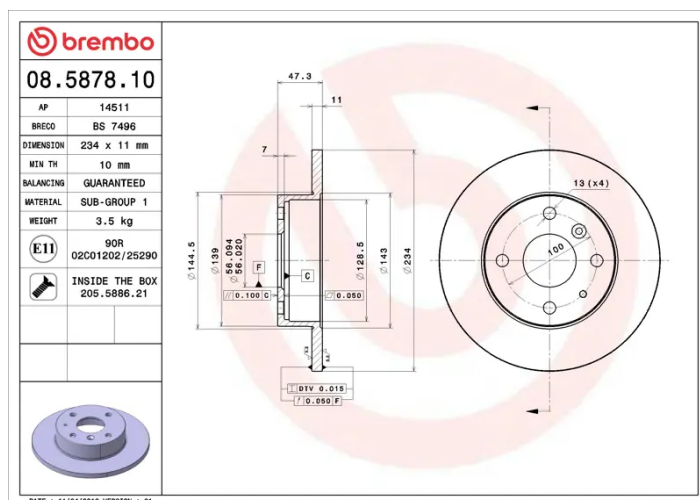
Number of holes (C)
4

Brake disc type
Solid

Centering (B)
56 mm

Min. thickness
10 mm

Tightening torque
103 Nm



COMPATIBLE VEHICLES

COMPATIBLE OE PART NUMBERS

4351287709	DAIHATSU
------------	----------

4351287709000	DAIHATSU
---------------	----------

4351287717	DAIHATSU
------------	----------

4351287722	DAIHATSU
------------	----------

4351287722000	DAIHATSU
---------------	----------

4351287727	DAIHATSU
------------	----------

4351287727000	DAIHATSU
---------------	----------

3501101005	GEELY
------------	-------

3501101005	GLEAGLE
------------	---------