



# BRAKE DISC

## 08.A114.20

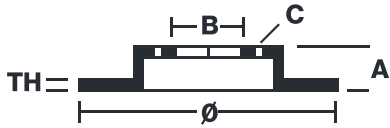
The **08.A114.20** brake disc is synonymous with reliability

The Brembo brake disc is fully interchangeable with an Original Equipment brake disc. The control of the entire production cycle allows Brembo to offer brake discs with outstanding performance levels, reliability, durability and comfort in all conditions of use. All Brembo brake discs are accompanied by the ECE-R90 homologation.

- ✓ OE-equivalent
- ✓ Brembo quality
- ✓ ECE-R90 certificate
- ✓ Safety



### Technical specifications



EAN code  
**8020584017890**

Axle  
**Rear**

Diameter  $\varnothing$   
**262 mm**

Thickness (TH)  
**10 mm**

Height (A)  
**61 mm**

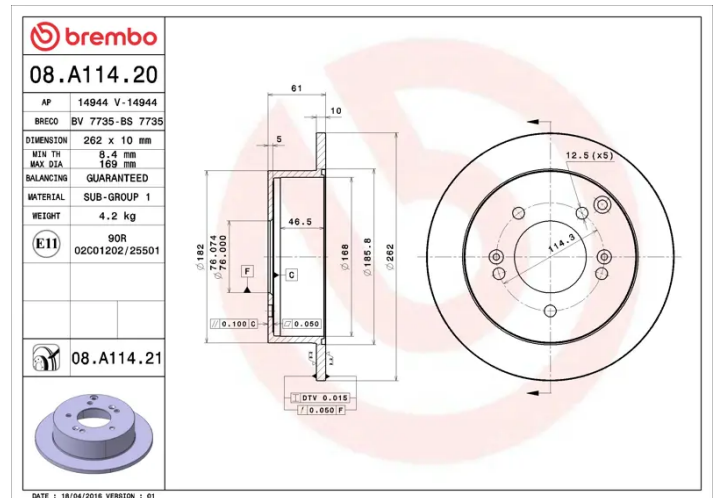
Number of holes (C)  
**5**

Brake disc type  
**Solid**

Centering (B)  
**76 mm**

Min. thickness  
**8,4 mm**

Tightening torque  
**100 Nm**



**COMPATIBLE VEHICLES**

## COMPATIBLE OE PART NUMBERS

584110A000	HYUNDAI
584110A010	HYUNDAI
5841139300	HYUNDAI
5841139600	HYUNDAI
584113K300	HYUNDAI
5841139600	HYUNDAI (BEIJING)
5841139300	KIA
5841139600	KIA
584113K300	KIA
55841139600	KIA
5841139600	KIA (DYK)