



BRAKE DISC

08.A755.10

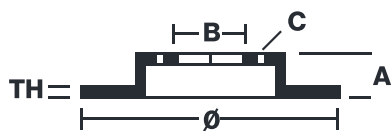
The **08.A755.10** brake disc is synonymous with reliability

The Brembo brake disc is fully interchangeable with an Original Equipment brake disc. The control of the entire production cycle allows Brembo to offer brake discs with outstanding performance levels, reliability, durability and comfort in all conditions of use. All Brembo brake discs are accompanied by the ECE-R90 homologation.

- ✓ OE-equivalent
- ✓ Brembo quality
- ✓ ECE-R90 certificate
- ✓ Safety



Technical specifications



EAN code
8020584020289

Axle
Rear

Diameter Ø
302 mm

Thickness (TH)
10 mm

Height (A)
59 mm

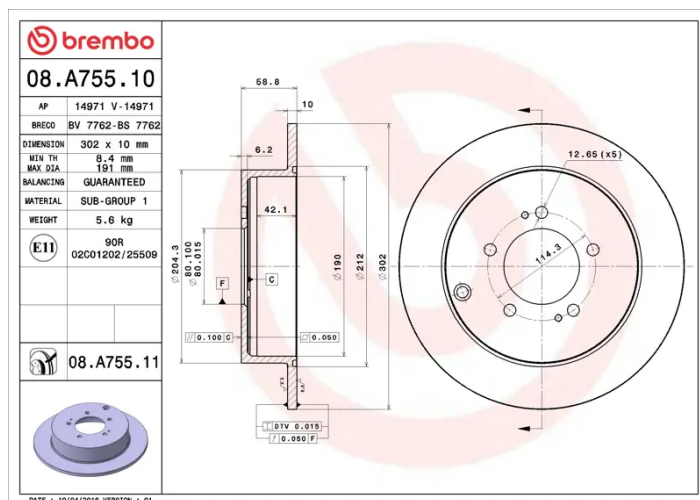
Number of holes (C)
5

Brake disc type
Solid

Centering (B)
80 mm

Min. thickness
8,4 mm

Tightening torque
100 Nm



COMPATIBLE VEHICLES

COMPATIBLE OE PART NUMBERS

1611500480	CITROËN
------------	---------

424962	CITROËN
--------	---------

4249F4	CITROËN
--------	---------

4615A035	MITSUBISHI
----------	------------

4615A192	MITSUBISHI
----------	------------

1611500480	PEUGEOT
------------	---------

424961	PEUGEOT
--------	---------

4249F4	PEUGEOT
--------	---------