



BRAKE DISC

09.3357.10

The **09.3357.10** brake disc is synonymous with reliability

The Brembo brake disc is fully interchangeable with an Original Equipment brake disc. The control of the entire production cycle allows Brembo to offer brake discs with outstanding performance levels, reliability, durability and comfort in all conditions of use. All Brembo brake discs are accompanied by the ECE-R90 homologation.

- ✓ OE-equivalent
- ✓ Brembo quality
- ✓ ECE-R90 certificate
- ✓ Safety



Technical specifications



EAN code
8020584335710

Axle
Front

Diameter Ø
252 mm

Thickness (TH)
24 mm

Height (A)
54 mm

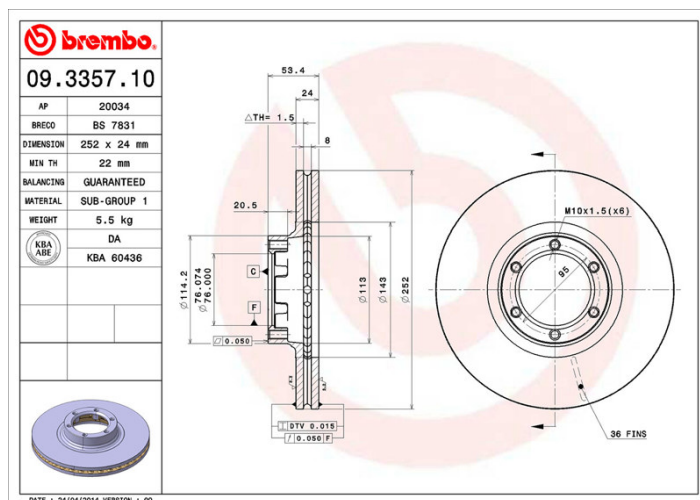
Number of holes (C)
6

Brake disc type
Ventilated

Centering (B)
76 mm

Min. thickness
22 mm

Tightening torque
85 Nm



COMPATIBLE VEHICLES

COMPATIBLE OE PART NUMBERS

4403283	OPEL
---------	------

9111283	OPEL
---------	------

4403283	RENAULT
---------	---------

7700561367	RENAULT
------------	---------

7701204281	RENAULT
------------	---------

9111283	RENAULT
---------	---------

9111283	VAUXHALL
---------	----------