



# BRAKE DISC PAINTED

## 09.5509.11

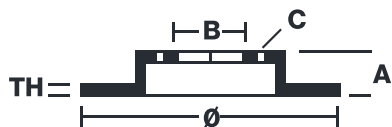
The 09.5509.11 painted brake disc is synonymous with reliability

The Brembo brake disc with special UV paint treatment guarantees superior corrosion resistance for the product, thanks to the protective coating on the outer edges and on the disc hub. The UV paint not only gives the disc a clean, shiny appearance but is also beneficial for the environment as the water-based UV paint treatment does not require the use of chemical solvents and is a low energy consumption process.

- ✓ OE-equivalent
- ✓ Brembo quality
- ✓ ECE-R90 certificate
- ✓ Safety
- ✓ Anti-corrosion
- ✓ Fastening screws



### Technical specifications



EAN code  
**8020584031575**

Axle  
**Front**

Diameter Ø  
**262 mm**

Thickness (TH)  
**21 mm**

Height (A)  
**45 mm**

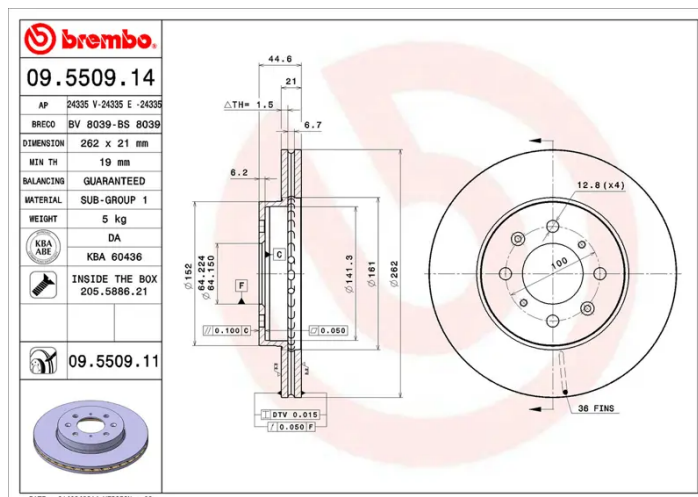
Number of holes (C)  
**4**

Brake disc type  
**Ventilated**

Centering (B)  
**64 mm**

Min. thickness  
**19 mm**

Tightening torque  
**108 Nm**



COMPATIBLE VEHICLES

## COMPATIBLE OE PART NUMBERS

45251SK7000	ACURA
-------------	-------

45251SK7A00	ACURA
-------------	-------

45251SR0A00	ACURA
-------------	-------

45251SR0A10	ACURA
-------------	-------

45251SK7000	HONDA
-------------	-------

45251SK7A00	HONDA
-------------	-------

45251SK7A10	HONDA
-------------	-------

45251SK7J00	HONDA
-------------	-------

45251SR0A00	HONDA
-------------	-------

45251SR0A10	HONDA
-------------	-------

45251ST3E10	HONDA
-------------	-------

45251SZY000	HONDA
-------------	-------

45251T9AT00	HONDA
-------------	-------

45251T9PJ00	HONDA
-------------	-------

45251T6PH00	HONDA (GAC)
-------------	-------------

GBD90840	LOTUS
----------	-------

SDB000990	MG
-----------	----

SDB000991	MG
-----------	----

SDB100600	MG
-----------	----

GBD90840	ROVER
----------	-------

SDB000990	ROVER
-----------	-------

SDB000991	ROVER
-----------	-------

SDB100600	ROVER
-----------	-------