



BRAKE DISC PAINTED

09.9915.11

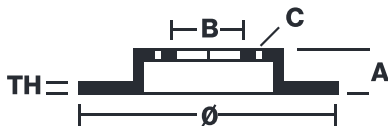
The 09.9915.11 painted brake disc is synonymous with reliability

The Brembo brake disc with special UV paint treatment guarantees superior corrosion resistance for the product, thanks to the protective coating on the outer edges and on the disc hub. The UV paint not only gives the disc a clean, shiny appearance but is also beneficial for the environment as the water-based UV paint treatment does not require the use of chemical solvents and is a low energy consumption process.



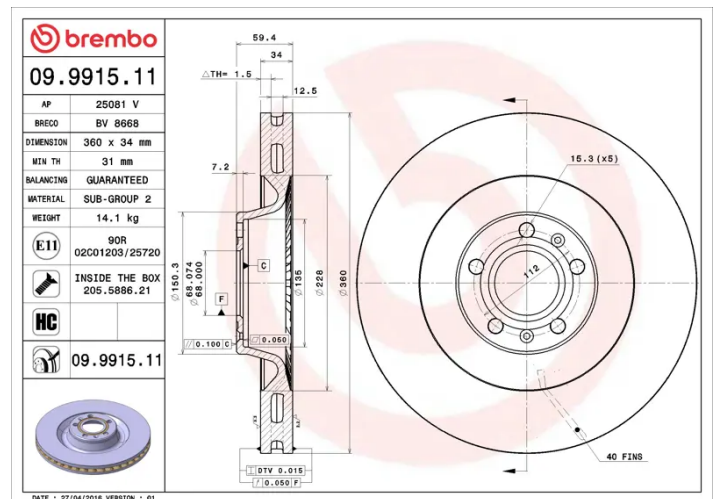
- ✓ OE-equivalent
- ✓ Brembo quality
- ✓ ECE-R90 certificate
- ✓ Safety
- ✓ High carbon
- ✓ Anti-corrosion
- ✓ Fastening screws

Technical specifications



EAN code	Axle	Diameter Ø
8020584991510	Front	360 mm
Thickness (TH)	Height (A)	Number of holes (C)
34 mm	59 mm	5
Brake disc type	Centering (B)	Min. thickness
Ventilated	68 mm	31 mm

Tightening torque
120 Nm



COMPATIBLE VEHICLES

COMPATIBLE OE PART NUMBERS

4E0615301A	AUDI
------------	------

4E0615301G	AUDI
------------	------

4E0615301J	AUDI
------------	------

4E0615301P	AUDI
------------	------

4E0615301T	AUDI
------------	------

3D0615301F	VW
------------	----

3D0615301M	VW
------------	----

4E0615301A	VW
------------	----

4E0615301G	VW
------------	----

4E0615301J	VW
------------	----

4E0615301P	VW
------------	----

4E0615301T	VW
------------	----