



BRAKE DISC PAINTED

09.A200.11

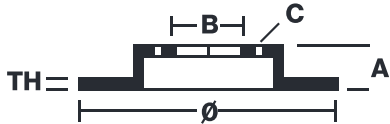
The 09.A200.11 painted brake disc is synonymous with reliability

The Brembo brake disc with special UV paint treatment guarantees superior corrosion resistance for the product, thanks to the protective coating on the outer edges and on the disc hub. The UV paint not only gives the disc a clean, shiny appearance but is also beneficial for the environment as the water-based UV paint treatment does not require the use of chemical solvents and is a low energy consumption process.



- ✓ OE-equivalent
- ✓ Brembo quality
- ✓ ECE-R90 certificate
- ✓ Safety
- ✓ High carbon
- ✓ Anti-corrosion
- ✓ Fastening screws

Technical specifications



EAN code
8020584025598

Axle
Rear

Diameter Ø
310 mm

Thickness (TH)
22 mm

Height (A)
48 mm

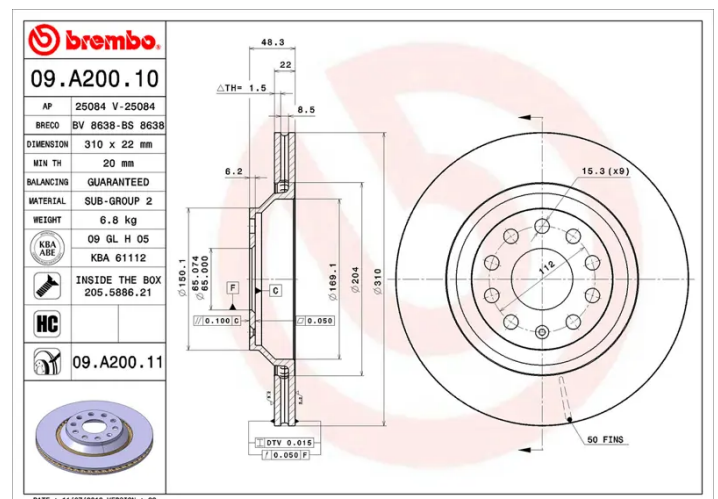
Number of holes (C)
5

Brake disc type
Ventilated

Centering (B)
65 mm

Min. thickness
20 mm

Tightening torque
120 Nm



COMPATIBLE VEHICLES

COMPATIBLE OE PART NUMBERS

1K0615601N	AUDI
------------	------

5Q0615601E	AUDI
------------	------

3QD615601A	AUDI (SAIC)
------------	-------------

1K0615601N	SEAT
------------	------

5Q0615601E	SEAT
------------	------

1K0615601N	SKODA
------------	-------

5Q0615601E	SKODA
------------	-------

5Q0615601S	SKODA
------------	-------

1K0615601N	VW
------------	----

3QF615601A	VW
------------	----

5Q0615601E	VW
------------	----

5QM615601A	VW
------------	----

3QD615601A	VW (FAW)
------------	----------

3QD615601A	VW (SVW)
------------	----------