



# BRAKE DISC

## 09.A430.10

The **09.A430.10** brake disc is synonymous with reliability

The Brembo brake disc is fully interchangeable with an Original Equipment brake disc. The control of the entire production cycle allows Brembo to offer brake discs with outstanding performance levels, reliability, durability and comfort in all conditions of use. All Brembo brake discs are accompanied by the ECE-R90 homologation.

- ✓ OE-equivalent
- ✓ Brembo quality
- ✓ ECE-R90 certificate
- ✓ Safety
- ✓ Fastening screws



### Technical specifications



EAN code  
**8020584019030**

Axle  
**Front**

Diameter Ø  
**304** mm

Thickness (TH)  
**28** mm

Height (A)  
**48** mm

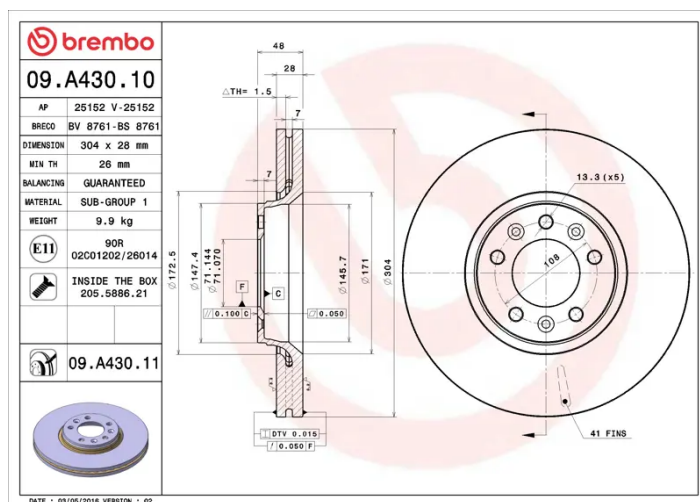
Number of holes (C)  
**5**

Brake disc type  
**Ventilated**

Centering (B)  
**71** mm

Min. thickness  
**26** mm

Tightening torque  
**90** Nm



COMPATIBLE VEHICLES

## COMPATIBLE OE PART NUMBERS

1611841980 CITROËN

---

1618865180 CITROËN

---

424925 CITROËN

---

424992 CITROËN

---

4249K0 CITROËN

---

1440027088 FIAT

---

9467548488 FIAT

---

9467548587 FIAT

---

9467548588 FIAT

---

1611841980 PEUGEOT

---

1618865180 PEUGEOT

---

424924 PEUGEOT

---

424992 PEUGEOT

---

4249K0 PEUGEOT

---

SU001A1064 TOYOTA

---