



BRAKE DISC PAINTED

09.A444.41

The 09.A444.41 painted brake disc is synonymous with reliability

The Brembo brake disc with special UV paint treatment guarantees superior corrosion resistance for the product, thanks to the protective coating on the outer edges and on the disc hub. The UV paint not only gives the disc a clean, shiny appearance but is also beneficial for the environment as the water-based UV paint treatment does not require the use of chemical solvents and is a low energy consumption process.

- ✓ OE-equivalent
- ✓ Brembo quality
- ✓ ECE-R90 certificate
- ✓ Safety
- ✓ High carbon
- ✓ Anti-corrosion
- ✓ PVT ventilation

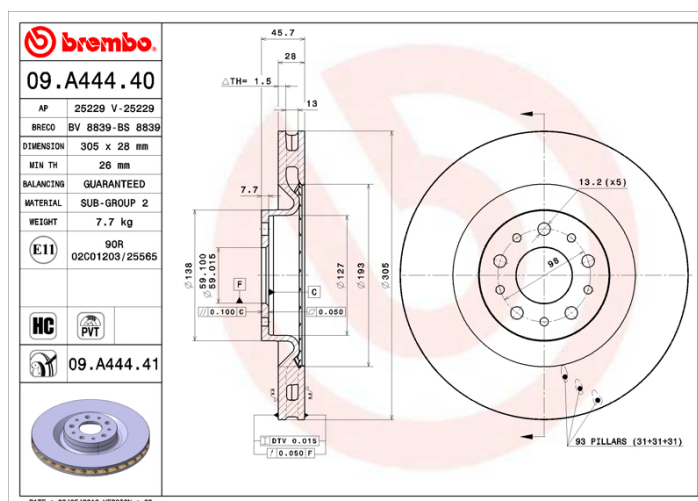


Technical specifications



EAN code 8020584225899	Axle Front	Diameter Ø 305 mm
Thickness (TH) 28 mm	Height (A) 46 mm	Number of holes (C) 5
Brake disc type Ventilated	Centering (B) 59 mm	Min. thickness 26 mm

Tightening torque
86 Nm



COMPATIBLE VEHICLES

COMPATIBLE OE PART NUMBERS

51854567 FIAT

51897455 FIAT

51914663 FIAT

52067169 FIAT

52104172 FIAT

52199580 FIAT

68201086AA FIAT

569087 OPEL

569096 OPEL

95511283 OPEL

95515332 OPEL

95511283 VAUXHALL

95515332 VAUXHALL
