



BRAKE DISC PAINTED

09.A968.21

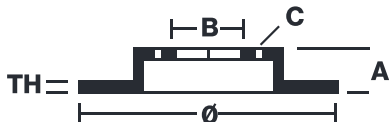
The 09.A968.21 painted brake disc is synonymous with reliability

The Brembo brake disc with special UV paint treatment guarantees superior corrosion resistance for the product, thanks to the protective coating on the outer edges and on the disc hub. The UV paint not only gives the disc a clean, shiny appearance but is also beneficial for the environment as the water-based UV paint treatment does not require the use of chemical solvents and is a low energy consumption process.

- ✓ OE-equivalent
- ✓ Brembo quality
- ✓ ECE-R90 certificate
- ✓ Safety
- ✓ Anti-corrosion

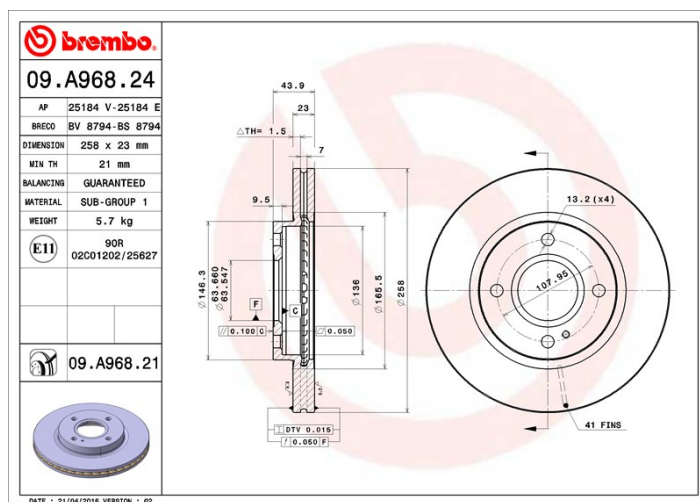


Technical specifications



EAN code 8020584220528	Axle Front	Diameter Ø 258 mm
Thickness (TH) 23 mm	Height (A) 44 mm	Number of holes (C) 4
Brake disc type Ventilated	Centering (B) 64 mm	Min. thickness 21 mm

Tightening torque
85 Nm



COMPATIBLE VEHICLES

COMPATIBLE OE PART NUMBERS

1523795	FORD
1535924	FORD
1546835	FORD
1679853	FORD
1892667	FORD
1892668	FORD
2017682	FORD
8V511125AA	FORD
8V511125AB	FORD
8V511125AC	FORD
8V511125AD	FORD
AE8Z1125B	FORD
E4B11125AA	FORD
E4B11125BA	FORD
G1B51125AA	FORD
AE8Z1125A	FORD USA