



BRAKE DISC PAINTED

09.B496.11

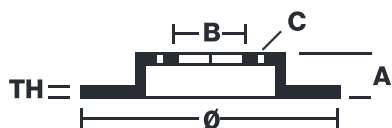
The 09.B496.11 painted brake disc is synonymous with reliability

The Brembo brake disc with special UV paint treatment guarantees superior corrosion resistance for the product, thanks to the protective coating on the outer edges and on the disc hub. The UV paint not only gives the disc a clean, shiny appearance but is also beneficial for the environment as the water-based UV paint treatment does not require the use of chemical solvents and is a low energy consumption process.

- ✓ OE-equivalent
- ✓ Brembo quality
- ✓ ECE-R90 certificate
- ✓ Safety
- ✓ Anti-corrosion



Technical specifications



EAN code
8020584214374

Axle
Front

Diameter Ø
320 mm

Thickness (TH)
28 mm

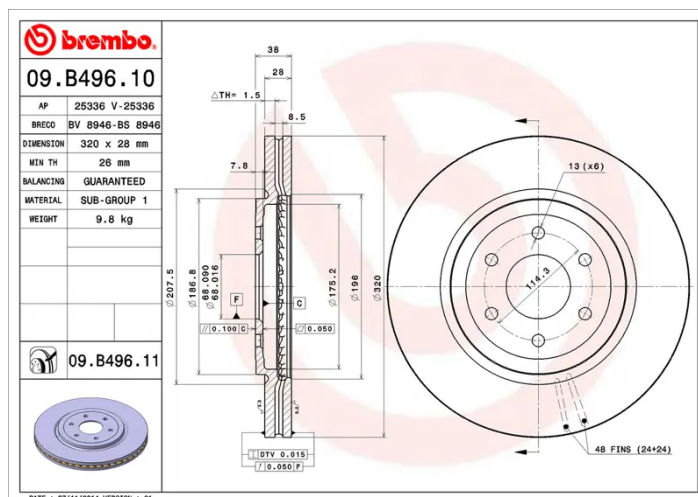
Height (A)
38 mm

Number of holes (C)
6

Brake disc type
Ventilated

Centering (B)
68 mm

Min. thickness
26 mm



COMPATIBLE VEHICLES

COMPATIBLE OE PART NUMBERS

402063X00B	NISSAN
------------	--------

402065X00A	NISSAN
------------	--------

402065X01A	NISSAN
------------	--------

40206EB320	NISSAN
------------	--------
