



BRAKE DISC PAINTED

09.B588.21

The 09.B588.21 painted brake disc is synonymous with reliability

The Brembo brake disc with special UV paint treatment guarantees superior corrosion resistance for the product, thanks to the protective coating on the outer edges and on the disc hub. The UV paint not only gives the disc a clean, shiny appearance but is also beneficial for the environment as the water-based UV paint treatment does not require the use of chemical solvents and is a low energy consumption process.

- ✓ OE-equivalent
- ✓ Brembo quality
- ✓ ECE-R90 certificate
- ✓ Safety
- ✓ High carbon
- ✓ Anti-corrosion



Technical specifications



EAN code
8020584310731

Axle
Front

Diameter \varnothing
278 mm

Thickness (TH)
25 mm

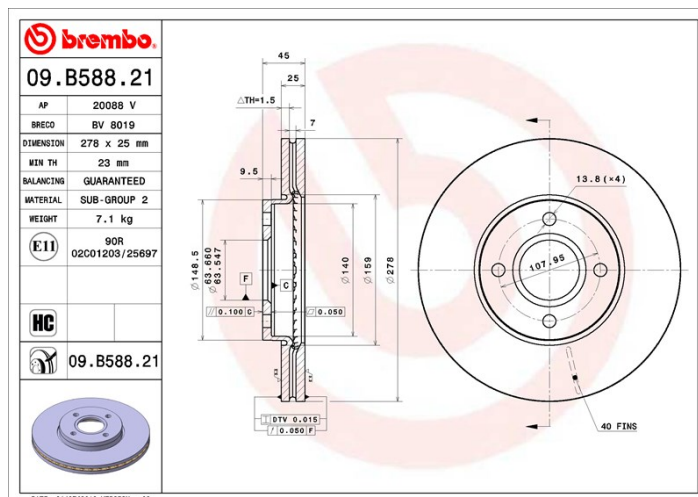
Height (A)
45 mm

Number of holes (C)
4

Brake disc type
Ventilated

Centering (B)
64 mm

Min. thickness
23 mm



COMPATIBLE VEHICLES

COMPATIBLE OE PART NUMBERS

1335684	FORD
---------	------

1360273	FORD
---------	------

1445625	FORD
---------	------

5S6Y1125AA	FORD
------------	------

5S6Y1125AB	FORD
------------	------

5S6Y1125AC	FORD
------------	------
