

Dati tecnici disco

Assale Posteriore

Diametro
270 mm

Altezza totale (A)
67 mm

Diametro di centraggio (B)
65,5 mm

Numero fori (C)
5

Spessore (TH)
10 mm

Spessore min.
8 mm

Coppia di serraggio
110 Nm

Unità per scatola
2

Codice EAN
8020584492710

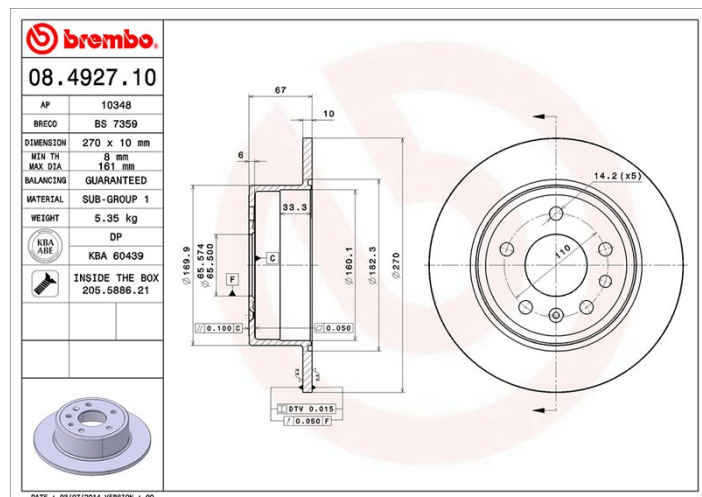


Codici marchi

Brembo
08.4927.10

AP
10348

Breco
BS 7359



Specifiche tecniche

Disco con viti di fissaggio

Inserendo la vite di fissaggio nella confezione del disco, Brembo fornisce un aiuto in più al meccanico qualora la vite originale fosse arrugginita o usurata a tal punto da impedirne o renderne difficoltoso il riutilizzo.



Veicoli compatibili

OPEL

Modello	Tipo	kW	Anno
OMEGA A (V87)	1.8 (F19, M19, N19)	85	09/86 03/94
OMEGA A (V87)	1.8 (F19, M19, N19)	65	09/87 03/94
OMEGA A (V87)	1.8 N (F19, M19, N19)	60	09/86 08/87
OMEGA A (V87)	1.8 N (F19, M19, N19)	63	11/86 09/88
OMEGA A (V87)	1.8 S (F19, M19, N19)	66	09/86 03/94
OMEGA A (V87)	2.0 (F19, M19, N19)	90	09/86 03/94
OMEGA A (V87)	2.0 (F19, M19, N19)	73	09/90 03/94

OMEGA A (V87)	2.0 (F19, M19, N19)	74	09/90 03/94
OMEGA A (V87)	2.0 i (F19, M19, N19)	85	09/86 03/94
OMEGA A (V87)	2.3 D (F19, M19, N19)	54	10/86 03/94
OMEGA A (V87)	2.3 TD (F19, M19, N19)	66	10/86 08/88
OMEGA A (V87)	2.3 TD Interc. (F19, M19, N19)	74	08/88 03/94
OMEGA A (V87)	2.4 i (F19, M19, N19)	92	09/88 03/94
OMEGA A (V87)	2.6 i (F19, M19, N19)	110	09/90 03/94
OMEGA A (V87)	3.0 (3000) (F19, M19, N19)	130	03/87 09/90
OMEGA A (V87)	3.0 (3000) (F19, M19, N19)	115	03/87 12/87
OMEGA A (V87)	3.0 (3000) Cat (F19, M19, N19)	130	03/88 03/94
OMEGA A (V87)	3.0 24V (3000) (F19, M19, N19)	147	09/89 03/94
OMEGA A (V87)	3.0 24V (3000) (F19, M19, N19)	150	09/89 03/94
OMEGA A (V87)	3.0 24V Evolution500 (F19, M19, N19)	169	03/91 07/92
OMEGA A Estate (V87)	1.8 (F35, M35)	85	09/86 03/94
OMEGA A Estate (V87)	1.8 (F35, M35)	65	09/87 03/94
OMEGA A Estate (V87)	1.8 N (F35, M35)	60	09/86 08/87
OMEGA A Estate (V87)	1.8 N (F35, M35)	63	11/86 09/88
OMEGA A Estate (V87)	1.8 S (F35, M35)	66	09/86 03/94
OMEGA A Estate (V87)	2.0 (F35, M35)	90	09/86 03/94
OMEGA A Estate (V87)	2.0 (F35, M35)	85	09/87 04/94
OMEGA A Estate (V87)	2.0 (F35, M35)	74	09/90 03/94
OMEGA A Estate (V87)	2.0 i (F35, M35)	85	09/86 04/94
OMEGA A Estate (V87)	2.0 i (F35, M35)	73	09/90 03/94
OMEGA A Estate (V87)	2.3 D (F35, M35)	54	09/86 03/94
OMEGA A Estate (V87)	2.3 TD (F35, M35)	66	09/86 08/88
OMEGA A Estate (V87)	2.3 TD Interc. (F35, M35)	74	09/88 03/94
OMEGA A Estate (V87)	2.4 i (F35, M35)	92	09/88 03/94
OMEGA A Estate (V87)	2.6 (F35, M35)	135	09/87 04/94
OMEGA A Estate (V87)	2.6 i (F35, M35)	110	09/90 03/94
OMEGA A Estate (V87)	3.0 (F35, M35)	115	03/87 03/94
OMEGA A Estate (V87)	3.0 (F35, M35)	130	03/87 09/90

OMEGA A Estate (V87)	3.0 24V (F35, M35)	147	09/89 03/94
OMEGA A Estate (V87)	3.0 24V Omega 3000 (F35, M35)	150	09/88 04/94
OMEGA A Estate (V87)	3.0 Cat (F35, M35)	130	03/87 03/94
SENATOR B (V88)	2.5 i (P19)	103	09/90 09/93
SENATOR B (V88)	2.6 i (P19)	110	09/90 09/93
SENATOR B (V88)	3.0 (P19)	130	01/88 09/90
SENATOR B (V88)	3.0 (P19)	115	09/87 09/93
SENATOR B (V88)	3.0 24V (P19)	150	09/89 09/93
SENATOR B (V88)	3.0 i Cat (P19)	130	01/88 09/93

VAUXHALL

Modello	Tipo	kW	Anno
CARLTON Mk III Estate (V87)	1.8	65	09/87 03/94
CARLTON Mk III Estate (V87)	1.8 i	85	09/86 03/94
CARLTON Mk III Estate (V87)	1.8 S	66	09/86 03/94
CARLTON Mk III Estate (V87)	2.0	85	09/86 03/94
CARLTON Mk III Estate (V87)	2.0 i	90	09/86 03/94
CARLTON Mk III Estate (V87)	2.2 TD	66	09/86 08/88
CARLTON Mk III Estate (V87)	2.3 D	54	09/86 03/94
CARLTON Mk III Estate (V87)	2.3 TD Interc.	74	09/88 03/94
CARLTON Mk III Estate (V87)	2.6 i	110	09/90 03/94
CARLTON Mk III Estate (V87)	3.0	130	03/87 03/94
CARLTON Mk III Estate (V87)	3.0 24V	147	09/89 03/94
CARLTON Mk III Saloon (V87)	1.8	65	09/87 03/94
CARLTON Mk III Saloon (V87)	1.8 i	85	09/86 03/94
CARLTON Mk III Saloon (V87)	1.8 S	66	09/86 03/94
CARLTON Mk III Saloon (V87)	2.0	85	09/86 03/94
CARLTON Mk III Saloon (V87)	2.0	74	09/90 03/94
CARLTON Mk III Saloon (V87)	2.0 i	90	09/86 03/94
CARLTON Mk III Saloon (V87)	2.2 TD	66	10/86 08/88
CARLTON Mk III Saloon (V87)	2.3 D	54	09/86 03/94
CARLTON Mk III Saloon (V87)	2.3 TD Interc.	74	08/88 03/94
CARLTON Mk III Saloon (V87)	2.6 i	110	09/90 03/94

CARLTON Mk III Saloon (V87)	3.0 3000	130	03/87 09/90
CARLTON Mk III Saloon (V87)	3.0 3000 24V	150	09/89 03/94
CARLTON Mk III Saloon (V87)	3000 24V	147	09/89 03/94
CARLTON Mk III Saloon (V87)	3000 Cat	130	03/88 03/94
SENATOR Mk II (B) (V88)	2.5 i	103	09/87 10/90
SENATOR Mk II (B) (V88)	2.6 i	110	09/90 09/93
SENATOR Mk II (B) (V88)	3.0	130	01/88 09/90
SENATOR Mk II (B) (V88)	3.0	135	09/87 08/88
SENATOR Mk II (B) (V88)	3.0 24V	150	09/89 09/93
SENATOR Mk II (B) (V88)	3.0 i Cat	130	01/88 09/93

Codici OE

Codici OE compatibili

OPEL	569101
VAUXHALL	569101
VAUXHALL	90272328