

Dati tecnici disco

Assale Posteriore

Diametro
320 mm

Altezza totale (A)
66,3 mm

Diametro di centraggio (B)
72 mm

Numero fori (C)
5

Spessore (TH)
14 mm

Spessore min.
12,5 mm

Coppia di serraggio
115 Nm

Unità per scatola
2

Codice EAN
8020584027950

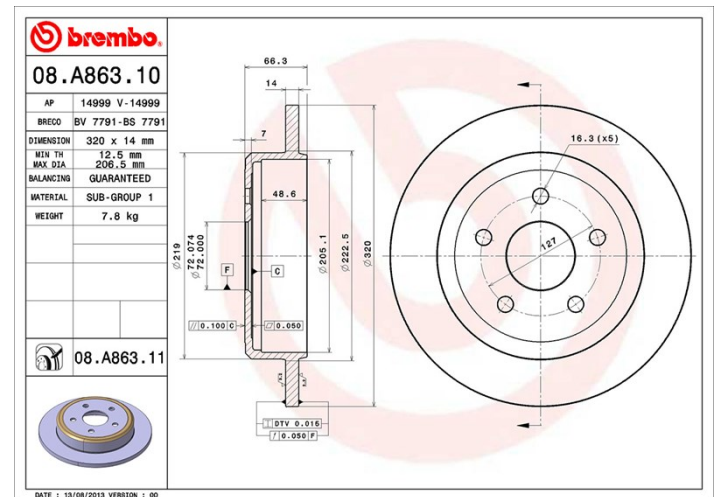


Codici marchi

Brembo
08.A863.10

AP
14999

Breco
BS 7791



Specifiche tecniche

Veicoli compatibili

JEEP			
Modello	Tipo	kW	Anno
COMMANDER (XK, XH)	3.0 CRD 4x4	160	04/06 12/10
COMMANDER (XK, XH)	3.7 V6 4x4	157	09/05 12/10
COMMANDER (XK, XH)	4.7 V8 4x4	170	09/05 12/10
COMMANDER (XK, XH)	5.7 V8 4x4	240	09/05 12/10
GRAND CHEROKEE III (WH, WK)	3.0 CRD	160	06/05 12/10
GRAND CHEROKEE III (WH, WK)	3.0 CRD 4x4	155	05/06 12/10
GRAND CHEROKEE III (WH, WK)	3.0 CRD 4x4	160	06/05 12/10
GRAND CHEROKEE III (WH, WK)	3.7 V6	157	10/04 12/10
GRAND CHEROKEE III (WH, WK)	3.7 V6 4x4	148	01/08 12/10

GRAND CHEROKEE III (MH, WK)	3.7 V6 4x4	157	10/04 12/10
GRAND CHEROKEE III (MH, WK)	4.7 V8 4x4	164	06/05 12/10
GRAND CHEROKEE III (MH, WK)	4.7 V8 4x4	170	06/05 12/10
GRAND CHEROKEE III (MH, WK)	4.7 V8 4x4	223	09/07 02/10
GRAND CHEROKEE III (MH, WK)	4.7 V8 4x4	167	10/07 05/10
GRAND CHEROKEE III (MH, WK)	5.7	240	06/05 12/08
GRAND CHEROKEE III (MH, WK)	5.7 V8 4x4	265	01/09 12/10
GRAND CHEROKEE III (MH, WK)	5.7 V8 4x4	259	01/09 12/10
GRAND CHEROKEE III (MH, WK)	5.7 V8 4x4	240	06/05 12/10

Codici OE

Codici OE compatibili

JEEP

52089275AB