

Dati tecnici disco

Assale Posteriore

Diametro
308 mm

Altezza totale (A)
68,9 mm

Diametro di centraggio (B)
96 mm

Numero fori (C)
5

Spessore (TH)
16 mm

Spessore min.
13 mm

Coppia di serraggio
Nm

Unità per scatola
1

Codice EAN
8020584220900

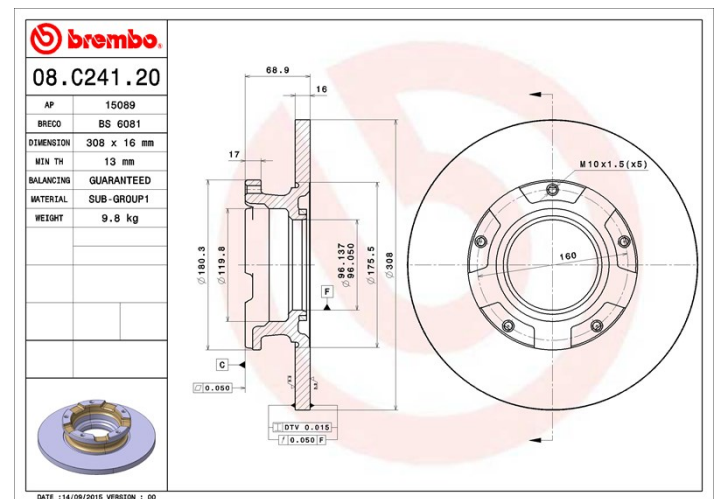


Codici marchi

Brembo
08.C241.20

AP
15089

Breco
BS 6081



Specifiche tecniche

Veicoli compatibili

FORD

Modello	Tipo	kW	Anno
TRANSIT Box	2.0 TDCi	77	03/16 -
TRANSIT Box	2.0 TDCi	96	03/16 -
TRANSIT Box	2.0 TDCi	125	03/16 -
TRANSIT Bus	2.0 TDCi	96	03/16 -
TRANSIT Bus	2.2 TDCi	114	12/14 -
TRANSIT CUSTOM Box	2.0 TDCi	77	12/15 -
TRANSIT CUSTOM Box	2.0 TDCi	96	12/15 -
TRANSIT CUSTOM Box	2.0 TDCi	125	12/15 -
TRANSIT CUSTOM Box	2.2 TDCi	74	04/12 -

TRANSIT CUSTOM Box	2.2 TDCi	92	04/12 -
TRANSIT CUSTOM Box	2.2 TDCi	114	04/12 -
TRANSIT CUSTOM Bus	2.2 TDCi	92	04/12 -
TRANSIT CUSTOM Bus	2.2 TDCi	114	04/12 -
TRANSIT Platform/Chassis	2.0 TDCi	77	03/16 -
TRANSIT Platform/Chassis	2.0 TDCi	96	03/16 -
TRANSIT Platform/Chassis	2.0 TDCi	125	03/16 -
TRANSIT Platform/Chassis	2.2 TDCi	74	08/13 -
TRANSIT Platform/Chassis	2.2 TDCi	92	08/13 -
TRANSIT Platform/Chassis	2.2 TDCi	114	08/13 -

Codici OE

Codici OE compatibili

FORD	1764282
FORD	1783910
FORD	BK212A097AA
FORD	BK212A097AB