

Dati tecnici disco

Assale Anteriore

Diametro
278 mm

Altezza totale (A)
70 mm

Diametro di centraggio (B)
95 mm

Numero fori (C)
6

Spessore (TH)
24 mm

Spessore min.
22 mm

Coppia di serraggio
Nm

Unità per scatola
2

Codice EAN
8020584448113

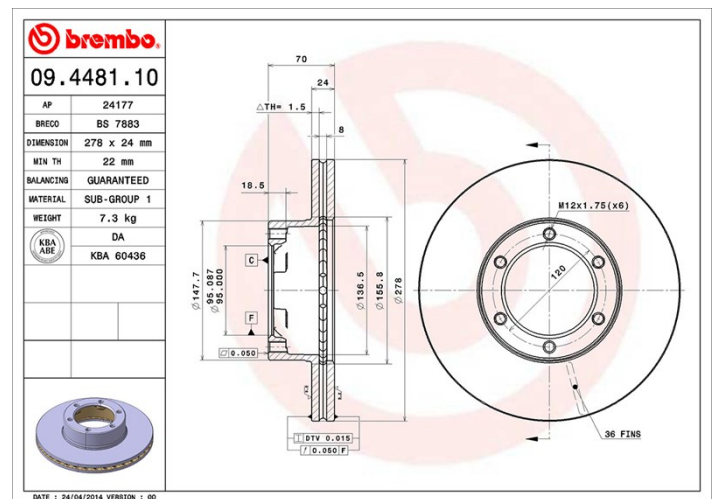


Codici marchi

Brembo
09.4481.10

AP
24177

Breco
BS 7883



Specifiche tecniche

Veicoli compatibili

RENAULT

Modello	Tipo	kW	Anno
MASTER I Box (T__)	2.4 D	50	07/80 06/83
MASTER I Box (T__)	2.4 D	52	07/83 08/86
MASTER I Box (T__)	2.4 D	53	09/86 12/92
MASTER I Box (T__)	28-35 2,5 D	55	08/89 07/98
MASTER I Box (T__)	28-35 2,5 TD	72	08/89 07/98
MASTER I Box (T__)	28-35 2.0	59	08/80 10/86
MASTER I Box (T__)	28-35 2.0	58	10/86 07/98
MASTER I Box (T__)	28-35 2.1 D	44	08/80 07/98
MASTER I Box (T__)	28-35 2.4 D	52	08/80 08/89

MASTER I Box (T__)	30 2,2	67	08/80 07/98
MASTER I Box (T__)	35 2,5 TD	69	08/89 07/98
MASTER I Bus (T__)	2.0	60	06/85 10/89
MASTER I Bus (T__)	2.1 D	44	11/89 04/95
MASTER I Bus (T__)	2.4 D	53	09/86 10/89
MASTER I Bus (T__)	28-35 2.0	59	08/80 09/86
MASTER I Bus (T__)	28-35 2.0	58	10/86 07/98
MASTER I Bus (T__)	28-35 2.1 D	44	08/80 07/98
MASTER I Bus (T__)	28-35 2.4 D	52	08/80 08/89
MASTER I Bus (T__)	28-35 2.5 D	55	08/89 07/98
MASTER I Bus (T__)	30 2,2	67	08/80 07/98
MASTER I Bus (T__)	35 2,5 TD	69	08/89 07/98
MASTER I Platform/Chassis (P__)	2.0	59	07/80 06/85
MASTER I Platform/Chassis (P__)	2.0	60	11/89 07/93
MASTER I Platform/Chassis (P__)	2.1 D	46	11/89 07/93
MASTER I Platform/Chassis (P__)	2.2	71	08/93 02/98
MASTER I Platform/Chassis (P__)	2.4 D	52	08/93 02/98
MASTER I Platform/Chassis (P__)	2.5 D	55	07/80 10/89
MASTER I Platform/Chassis (P__)	2.5 DT	70	08/93 02/98
MASTER I Platform/Chassis (P__)	2.5 DT	69	11/89 10/93
MASTER I Platform/Chassis (P__)	28-35 2.0	59	10/82 09/86
MASTER I Platform/Chassis (P__)	28-35 2.0	58	10/86 07/98
MASTER I Platform/Chassis (P__)	28-35 2.5 D	52	09/80 07/98

Codici OE

Codici OE compatibili

RENAULT

5000388057