

Dati tecnici disco

Assale Anteriore

Diametro
296 mm

Altezza totale (A)
58,3 mm

Diametro di centraggio (B)
70 mm

Numero fori (C)
5

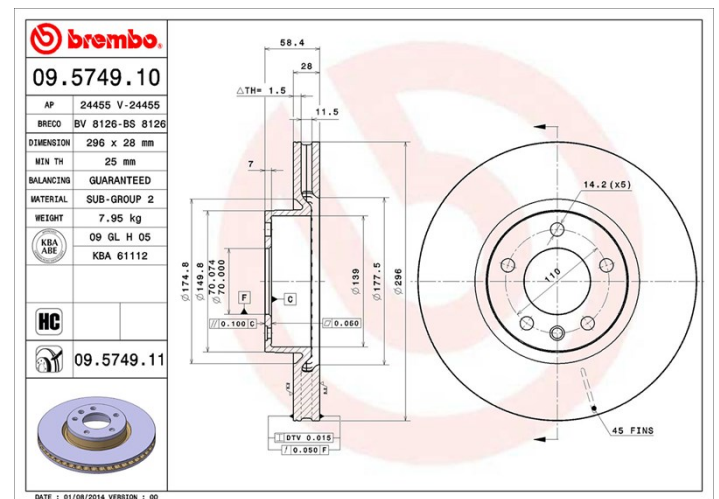
Spessore (TH)
28 mm

Spessore min.
25 mm

Coppia di serraggio
110 Nm

Unità per scatola
2

Codice EAN
8020584022788



Codici marchi

Brembo
09.5749.11

AP
24455 V

Breco
BV 8126

Specifiche tecniche

Disco High Carbon (HC)

Grazie all'elevata percentuale di carbonio nella composizione chimica della ghisa, il disco HC offre un maggiore coefficiente di smorzamento, in grado di ridurre le vibrazioni e rumorosità durante la guida.

HC

Disco UV

Il processo di verniciatura UV garantisce una resistenza superiore alla corrosione e una protezione completa del disco.



Veicoli compatibili

OPEL

| Modello | Tipo | kW | Anno |
|---------------|--------------------------------|-----|-------------|
| OMEGA A (V87) | 2.6 i (F19, M19, N19) | 110 | 09/90 03/94 |
| OMEGA A (V87) | 3.0 (3000) (F19, M19, N19) | 130 | 03/87 09/90 |
| OMEGA A (V87) | 3.0 (3000) (F19, M19, N19) | 115 | 03/87 12/87 |
| OMEGA A (V87) | 3.0 (3000) Cat (F19, M19, N19) | 130 | 03/88 03/94 |
| OMEGA A (V87) | 3.0 24V (3000) (F19, M19, N19) | 147 | 09/89 03/94 |

| | | | |
|----------------------|--------------------------------------|-----|-------------|
| OMEGA A (V87) | 3.0 24V (3000) (F19, M19, N19) | 150 | 09/89 03/94 |
| OMEGA A (V87) | 3.0 24V Evolution500 (F19, M19, N19) | 169 | 03/91 07/92 |
| OMEGA A Estate (V87) | 2.6 (F35, M35) | 135 | 09/87 04/94 |
| OMEGA A Estate (V87) | 2.6 i (F35, M35) | 110 | 09/90 03/94 |
| OMEGA A Estate (V87) | 3.0 (F35, M35) | 115 | 03/87 03/94 |
| OMEGA A Estate (V87) | 3.0 (F35, M35) | 130 | 03/87 09/90 |
| OMEGA A Estate (V87) | 3.0 24V (F35, M35) | 147 | 09/89 03/94 |
| OMEGA A Estate (V87) | 3.0 24V Omega 3000 (F35, M35) | 150 | 09/88 04/94 |
| OMEGA A Estate (V87) | 3.0 Cat (F35, M35) | 130 | 03/87 03/94 |
| OMEGA B (V94) | 2.0 (F69, M69, P69) | 85 | 03/94 09/99 |
| OMEGA B (V94) | 2.0 (F69, M69, P69) | 85 | 03/94 12/00 |
| OMEGA B (V94) | 2.0 (F69, M69, P69) | 90 | 05/94 05/99 |
| OMEGA B (V94) | 2.0 16V (F69, M69, P69) | 100 | 03/94 09/99 |
| OMEGA B (V94) | 2.0 DTI 16V (F69, M69, P69) | 74 | 09/97 09/00 |
| OMEGA B (V94) | 2.2 16V (F69, M69, P69) | 106 | 09/99 07/03 |
| OMEGA B (V94) | 2.2 DTI 16V (F69, M69, P69) | 81 | 09/00 07/03 |
| OMEGA B (V94) | 2.2 DTI 16V (F69, M69, P69) | 88 | 09/00 07/03 |
| OMEGA B (V94) | 2.5 D (F69, M69, P69) | 96 | 05/94 05/99 |
| OMEGA B (V94) | 2.5 DTI (F69, M69, P69) | 110 | 09/01 07/03 |
| OMEGA B (V94) | 2.5 TD (F69, M69, P69) | 96 | 04/94 07/03 |
| OMEGA B (V94) | 2.5 V6 (F69, M69, P69) | 125 | 03/94 09/00 |
| OMEGA B (V94) | 2.6 V6 (F69, M69, P69) | 132 | 09/00 07/03 |
| OMEGA B (V94) | 3.0 V6 (F69, M69, P69) | 155 | 04/94 02/01 |
| OMEGA B (V94) | 3.2 V6 (F69, M69, P69) | 160 | 02/01 07/03 |
| OMEGA B Estate (V94) | 2.0 (F35, M35, P35) | 85 | 03/94 09/99 |
| OMEGA B Estate (V94) | 2.0 (F35, M35, P35) | 90 | 05/94 05/99 |
| OMEGA B Estate (V94) | 2.0 16V (F35, M35, P35) | 100 | 03/94 09/99 |
| OMEGA B Estate (V94) | 2.0 DTI 16V (F35, M35, P35) | 74 | 09/97 09/00 |
| OMEGA B Estate (V94) | 2.2 16V (F35, M35, P35) | 106 | 09/99 07/03 |
| OMEGA B Estate (V94) | 2.2 DTI 16V (F35, M35, P35) | 81 | 09/00 07/03 |
| OMEGA B Estate (V94) | 2.2 DTI 16V (F35, M35, P35) | 88 | 09/00 07/03 |

| OMEGA B Estate (V94) | 2.5 DTI (F35, M35, P35) | 110 | 09/01 07/03 |
|-----------------------------|-------------------------|-----|-------------|
| OMEGA B Estate (V94) | 2.5 TD (F35, M35, P35) | 96 | 04/94 07/01 |
| OMEGA B Estate (V94) | 2.5 V6 (F35, M35, P35) | 125 | 03/94 09/00 |
| OMEGA B Estate (V94) | 2.6 (F35, M35, P35) | 138 | 05/94 05/99 |
| OMEGA B Estate (V94) | 2.6 V6 (F35, M35, P35) | 132 | 09/00 07/03 |
| OMEGA B Estate (V94) | 3.0 V6 (F35, M35, P35) | 155 | 04/94 02/01 |
| OMEGA B Estate (V94) | 3.2 V6 (F35, M35, P35) | 160 | 02/01 07/03 |
| SENATOR B (V88) | 2.5 i (P19) | 103 | 09/90 09/93 |
| SENATOR B (V88) | 2.6 i (P19) | 110 | 09/90 09/93 |
| SENATOR B (V88) | 3.0 (P19) | 130 | 01/88 09/90 |
| SENATOR B (V88) | 3.0 (P19) | 115 | 09/87 09/93 |
| SENATOR B (V88) | 3.0 24V (P19) | 150 | 09/89 09/93 |
| SENATOR B (V88) | 3.0 i Cat (P19) | 130 | 01/88 09/93 |
| VAUXHALL | | | |
| Modello | Tipo | kW | Anno |
| CARLTON Mk III Estate (V87) | 2.6 i | 110 | 09/90 03/94 |
| CARLTON Mk III Estate (V87) | 3.0 | 130 | 03/87 03/94 |
| CARLTON Mk III Estate (V87) | 3.0 24V | 147 | 09/89 03/94 |
| CARLTON Mk III Saloon (V87) | 2.6 i | 110 | 09/90 03/94 |
| CARLTON Mk III Saloon (V87) | 3.0 3000 | 130 | 03/87 09/90 |
| CARLTON Mk III Saloon (V87) | 3.0 3000 24V | 150 | 09/89 03/94 |
| CARLTON Mk III Saloon (V87) | 3000 24V | 147 | 09/89 03/94 |
| CARLTON Mk III Saloon (V87) | 3000 Cat | 130 | 03/88 03/94 |
| OMEGA (B) Estate (V94) | 2.0 | 85 | 03/94 09/99 |
| OMEGA (B) Estate (V94) | 2.0 16V | 100 | 03/94 07/01 |
| OMEGA (B) Estate (V94) | 2.0 DTI 16V | 74 | 01/98 09/00 |
| OMEGA (B) Estate (V94) | 2.2 16V | 106 | 02/94 06/03 |
| OMEGA (B) Estate (V94) | 2.2 DTI 16V | 88 | 08/00 06/03 |
| OMEGA (B) Estate (V94) | 2.5 TD | 96 | 04/94 07/01 |
| OMEGA (B) Estate (V94) | 2.5 V6 | 125 | 03/94 09/00 |
| OMEGA (B) Estate (V94) | 2.6 V6 | 132 | 08/00 06/03 |
| OMEGA (B) Estate (V94) | 3.0 V6 | 155 | 07/94 07/00 |

| | | | |
|-------------------------|-------------|-----|-------------|
| OMEGA (B) Estate (V94) | 3.2 V6 | 160 | 02/01 06/03 |
| OMEGA (B) Saloon (V94) | 2.0 | 85 | 03/94 09/99 |
| OMEGA (B) Saloon (V94) | 2.0 | 85 | 09/95 09/96 |
| OMEGA (B) Saloon (V94) | 2.0 16V | 100 | 03/94 07/01 |
| OMEGA (B) Saloon (V94) | 2.0 DTI 16V | 74 | 01/98 09/00 |
| OMEGA (B) Saloon (V94) | 2.2 16V | 106 | 01/94 06/03 |
| OMEGA (B) Saloon (V94) | 2.2 DTI 16V | 88 | 08/00 07/03 |
| OMEGA (B) Saloon (V94) | 2.5 TD | 96 | 04/94 07/01 |
| OMEGA (B) Saloon (V94) | 2.5 V6 | 125 | 03/94 09/00 |
| OMEGA (B) Saloon (V94) | 2.6 V6 | 132 | 08/00 07/03 |
| OMEGA (B) Saloon (V94) | 3.0 V6 | 155 | 04/94 07/00 |
| OMEGA (B) Saloon (V94) | 3.2 V6 | 160 | 02/01 07/03 |
| SENATOR Mk II (B) (V88) | 2.5 i | 103 | 09/87 10/90 |
| SENATOR Mk II (B) (V88) | 2.6 i | 110 | 09/90 09/93 |
| SENATOR Mk II (B) (V88) | 3.0 | 130 | 01/88 09/90 |
| SENATOR Mk II (B) (V88) | 3.0 | 135 | 09/87 08/88 |
| SENATOR Mk II (B) (V88) | 3.0 24V | 150 | 09/89 09/93 |
| SENATOR Mk II (B) (V88) | 3.0 i Cat | 130 | 01/88 09/93 |

Codici OE

Codici OE compatibili

| | |
|----------|----------|
| OPEL | 569016 |
| OPEL | 569044 |
| VAUXHALL | 569016 |
| VAUXHALL | 569044 |
| VAUXHALL | 90344650 |
| VAUXHALL | 90392559 |