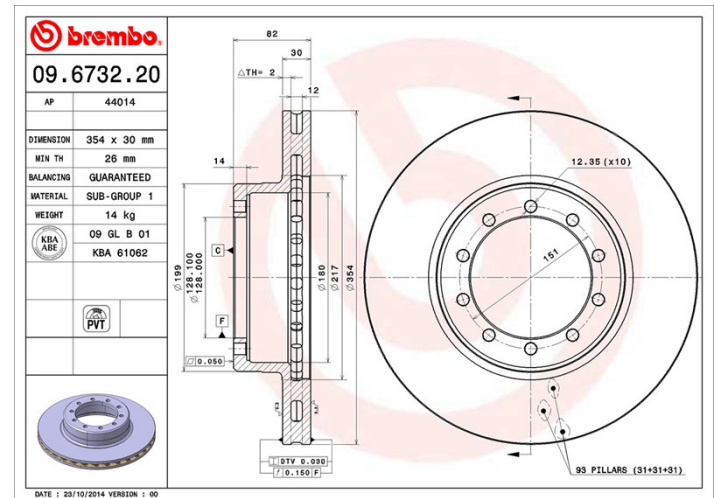
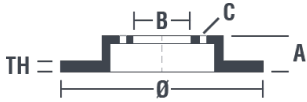


Dati tecnici disco

Assale Anteriore	Diametro 354 mm
Altezza totale (A) 82 mm	Diametro di centraggio (B) 128 mm
Numero fori (C) 10	Spessore (TH) 30 mm
Spessore min. 26 mm	Coppia di serraggio  Nm
Unità per scatola 1	Codice EAN 8020584673225



Codici marchi

Brembo 09.6732.20	AP 44014
-----------------------------	--------------------

Specifiche tecniche

Veicoli compatibili

RENAULT TRUCKS

Modello	Tipo	kW	Anno
Midliner	M 140.12/C	103	05/89 03/93
Midliner	M 140.12/C	103	05/89 03/93
Midliner	M 140.13/C	103	05/89 03/93
Midliner	M 140.13/C	103	04/89 03/93
Midliner	M 150.09/C	110	11/92 10/96
Midliner	M 150.09/C SP	110	11/92 10/96
Midliner	M 150.11/C	110	11/92 10/96
Midliner	M 150.11/C SP	110	11/92 10/96
Midliner	M 150.12/C	110	11/92 10/96
Midliner	M 150.12/C BTP	110	11/92 10/96

Midliner	M 150.13/C	110	11/92 10/96
Midliner	M 150.13/C BTP	110	11/92 10/96
Midliner	M 150.14/C BOM	110	11/92 10/96
Midliner	M 150.14/C CIT	110	11/92 10/96
Midliner	M 160.12/C	117	05/89 03/93
Midliner	M 160.12/C	117	05/89 03/93
Midliner	M 160.13/C	117	05/89 03/93
Midliner	M 160.13/C	117	05/89 03/93
Midliner	M 160.13/C	117	05/89 03/93
Midliner	M 160.14/C BOM	117	05/89 03/93
Midliner	M 160.14/C CIT	117	05/89 03/93
Midliner	M 160.15/D	117	05/89 03/93
Midliner	M 180.10/C	129	11/92 10/96
Midliner	M 180.11/C	129	11/92 10/96
Midliner	M 180.11/C SP	129	11/92 10/96
Midliner	M 180.12/C	129	11/92 10/96
Midliner	M 180.12/C BTP	129	11/92 10/96
Midliner	M 180.13 SP	129	11/92 10/96
Midliner	M 180.13/C	129	11/92 10/96
Midliner	M 180.13/C	129	11/92 10/96
Midliner	M 180.13/C	129	11/92 10/96
Midliner	M 180.13/C BTP	129	11/92 10/96
Midliner	M 180.15/D	129	11/92 10/96
Midliner	M 180.15/D	129	11/92 10/96
Midliner	M 180.15/D	129	11/92 10/96
Midliner	M 180.15/D BTP	129	11/92 10/96
Midliner	M 180.16/D	129	11/92 10/96
Midliner	M 200.10/C	144	05/88 03/93
Midliner	M 200.12/C	144	05/88 03/93
Midliner	M 200.13/C	144	05/88 03/93
Midliner	M 200.13/C	144	05/88 03/93

Midliner	M 200.13/C	144	05/88 03/93
Midliner	M 200.14/C BOM	144	05/88 03/93
Midliner	M 200.14/C CIT	144	05/88 03/93
Midliner	M 200.15/D	144	05/88 03/93
Midliner	M 200.15/D	144	05/88 03/93
Midliner	M 200.15/D	144	05/88 03/93
Midliner	M 200.16/D	144	05/88 03/93
Midliner	M 200.16/D	144	05/88 03/93
Midliner	M 210.12/C	151	05/92 01/00
Midliner	M 210.13/C	151	05/92 01/00
Midliner	M 210.13/C	151	05/92 01/00
Midliner	M 210.13/C SP	151	05/92 10/96
Midliner	M 210.14/C BOM	151	05/92 10/96
Midliner	M 210.15/D	151	05/92 01/00
Midliner	M 210.15/D CIT	151	05/92 10/96
Midliner	M 210.16/D	151	05/92 01/00
Midliner	M 210.16/D	151	05/92 01/00
Midliner	M 210.16/D CIT	151	05/92 10/96
Midliner	M 230.10/C	166	05/89 07/92
Midliner	M 230.12/C	166	05/92 10/96
Midliner	M 230.12/D	166	05/89 07/92
Midliner	M 230.12/D	166	05/89 07/92
Midliner	M 230.13/C	166	05/92 10/96
Midliner	M 230.13/C,M 230.13/D	166	05/89 10/96
Midliner	M 230.13/D	166	05/89 07/92
Midliner	M 230.13C/T	166	05/89 10/96
Midliner	M 230.15/D	166	05/89 10/96
Midliner	M 230.15/D	166	05/89 10/96
Midliner	M 230.15/D CIT	166	05/89 07/92
Midliner	M 230.16/D	166	05/89 10/96
Midliner	M 230.16/D	166	05/89 10/96

Midliner	M 230.16/D CIT	166	05/89 07/92
Midliner	M 230.16D/T	166	05/89 10/96
Midliner	S 120.06/A	82	09/90 11/92
Midliner	S 120.06/A,S 120.07/A	88	11/92 10/94
Midliner	S 120.06/A,S 120.07/A	82	09/90 11/92
Midliner	S 120.07/A	88	11/92 10/94
Midliner	S 120.07/A	82	09/90 11/92
Midliner	S 120.07/A	82	09/90 11/92
Midliner	S 120.07/A	82	09/90 11/92
Midliner	S 130.06	96	09/83 01/90
Midliner	S 130.07	96	09/83 01/90
Midliner	S 130.08/A	96	09/83 01/90
Midliner	S 130.08/A,S 130.08/B	96	09/83 01/90
Midliner	S 130.08/A,S 130.08/B	96	09/83 01/90
Midliner	S 130.08/B	96	09/83 01/90
Midliner	S 130.08/R	96	09/83 01/90
Midliner	S 130.09/B	96	09/83 01/90
Midliner	S 130.09/B	96	09/83 01/90
Midliner	S 130.09/B	96	09/83 01/90
Midliner	S 130.11	96	09/83 01/90
Midliner	S 130.11/B	96	09/83 01/90
Midliner	S 130.11/B	96	09/83 01/90
Midliner	S 130.13/B	96	09/83 01/90
Midliner	S 140.07/A	103	01/90 09/93
Midliner	S 140.07/A	103	01/90 09/93
Midliner	S 150.08/A	110	05/96 01/00
Midliner	S 150.08TI	113	05/83 07/86
Midliner	S 150.08TI	113	05/86 09/90
Midliner	S 150.08TI	113	05/83 07/86
Midliner	S 150.08TI	113	05/86 09/90
Midliner	S 150.08TI/R	113	05/86 09/90

Midliner	S 150.09TI	113	05/86 09/90
Midliner	S 150.09TI	113	05/86 09/90
Midliner	S 150.09TI	113	05/86 09/90
Midliner	S 150.09TI	113	05/83 07/86
Midliner	S 150.09TI	113	05/83 07/86
Midliner	S 150.09TI	113	05/86 09/90
Midliner	S 150.11TI	113	05/86 09/90
Midliner	S 150.11TI	113	05/86 09/90
Midliner	S 150.11TI	113	05/86 09/90
Midliner	S 150.11TI	113	05/86 09/90
Midliner	S 150.11TI	113	05/86 09/90
Midliner	S 150.13TI	113	05/86 09/90
Midliner	S 150.13TI	113	05/86 09/90
Midliner	S 150.13TI	113	04/86 09/90
Midliner	S 150.14TI BOM	113	05/86 09/90
Midliner	S 170.11TI	127	10/87 05/89
Midliner	S 170.11TI/R	127	10/87 05/89
Midliner	S 170.11TI/R	127	10/87 05/89
Midliner	S 170.13TI	127	10/83 03/93
Midliner	S 170.13TI,S 170 SP	127	10/83 03/93
Midliner	S 170.13TI,S 170.13TI/R	127	10/83 05/89
Midliner	S 170.13TI/T	127	10/84 05/89
Midliner	S 170.14TI	127	10/83 05/89
Midliner	S 170.14TI	127	10/83 05/89
Midliner	S 170.14TI/R	127	10/87 05/89
Midliner	S 170.15TI	127	10/82 09/93

Codici OE

Codici OE compatibili

RENAULT TRUCKS 5000450158

RENAULT TRUCKS 5000545242