

## Dati tecnici disco

**Assale** Anteriore

**Diametro**  
280 mm

**Altezza totale (A)**  
36 mm

**Diametro di centraggio (B)**  
88 mm

**Numero fori (C)**  
6

**Spessore (TH)**  
26 mm

**Spessore min.**  
24,6 mm

**Coppia di serraggio**   
118 Nm

**Unità per scatola**  
2

**Codice EAN**  
8020584686614

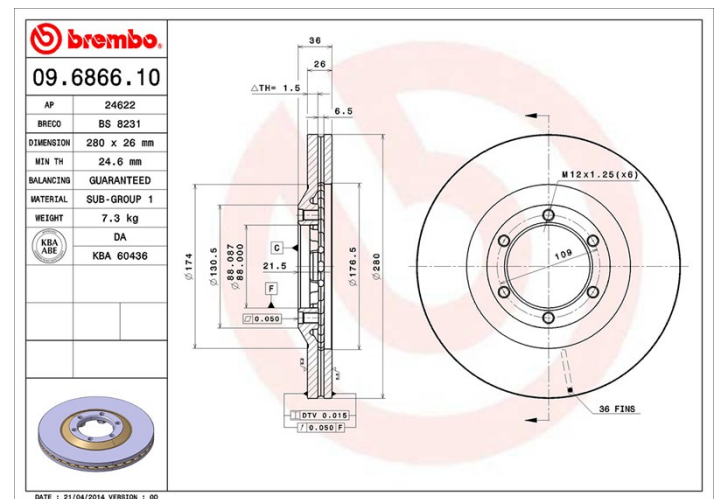


## Codici marchi

**Brembo**  
09.6866.10

**AP**  
24622

**Breco**  
BS 8231



## Specifiche tecniche

## Veicoli compatibili

### GREAT WALL

Modello	Tipo	kW	Anno
HOVER	2.8 TCI 4WD	70	10/06 12/10
HOVER	2.4 LONG	95	09/06 12/07
HOVER Closed Off-Road Vehicle	2.0 All-wheel Drive	90	10/08 12/10
HOVER Closed Off-Road Vehicle	2.2	78	06/06 12/07
HOVER Closed Off-Road Vehicle	2.2 All-wheel Drive	78	06/06 12/07
HOVER Closed Off-Road Vehicle	2.4	100	01/07 12/08
HOVER Closed Off-Road Vehicle	2.4	93	11/05 10/08
HOVER Closed Off-Road Vehicle	2.4 All-wheel Drive	93	11/05 10/08
HOVER Closed Off-Road Vehicle	2.4 All-wheel Drive (CC6460)	100	01/07 12/08

HOVER Closed Off-Road Vehicle	2.5 TCI	80	10/08 12/10
HOVER Closed Off-Road Vehicle	2.5 TCI All-wheel Drive	80	10/08 12/10
HOVER Closed Off-Road Vehicle	2.8 TCI	70	06/06 12/10
HOVER H3	2.0	90	05/09 -
HOVER H3	2.0 4WD	90	01/10 -
HOVER H3	2.4	100	10/08 12/13
HOVER H3	2.4 All-wheel Drive	93	01/07 12/10
HOVER H3	2.4 All-wheel Drive	100	07/10 12/13
HOVER H3	2.5 TCI	80	01/10 12/13
HOVER H3	2.5 TCI All-wheel Drive	80	01/10 12/13
HOVER H3	2.8 TD	85	01/07 12/10
HOVER H3	2.8 TD 4WD	85	10/08 12/10
HOVER H5	2.0	90	08/10 12/14
HOVER H5	2.0 TD	110	10/10 12/14
HOVER H5	2.0 TD 4WD	110	10/10 12/14
HOVER H5	2.4	100	06/10 -
HOVER H5	2.4 4WD (CC6461)	100	06/10 12/13
HOVER H5	2.5 TCI	80	06/10 12/13
HOVER H5	2.5 TCI All-wheel Drive	80	06/10 12/11
<b>ISUZU</b>			
Modello	Tipo	kW	Anno
TROOPER II (UB)	3.1 TD	84	08/91 07/98
TROOPER II (UB)	3.2	130	08/91 07/98
TROOPER II Open Off-Road Vehide (UB)	2.6 4x4	85	08/91 04/96
TROOPER II Open Off-Road Vehide (UB)	3.1 TD	84	08/91 07/98
TROOPER II Open Off-Road Vehide (UB)	3.2	130	08/91 07/98
TROOPER III	3.0 DTI	117	05/98 08/04
TROOPER III	3.5 V6 24V AWD	158	04/00 08/04
TROOPER III Open Off-Road Vehicle	3.0 DTI	118	04/00 08/04
TROOPER III Open Off-Road Vehicle	3.5 V6 24V	158	04/00 08/04
<b>OPEL</b>			
Modello	Tipo	kW	Anno

FRONTERA A (U92)	2.2 i (54MML4)	100	03/95 10/98
FRONTERA A (U92)	2.5 TDS	85	09/96 10/98
FRONTERA A (U92)	2.8 TD (5BMML4, 5BSUD2)	83	03/95 08/98
FRONTERA A Sport (U92)	2.0 i (52SUD2, 55SUD2)	85	03/92 10/98
FRONTERA A Sport (U92)	2.5 TDS	85	09/96 10/98
FRONTERA A Sport (U92)	2.8 TD (5BSUD2)	83	03/95 08/96
FRONTERA B (U99)	2.2 DTI (6B_66, 6B_76)	88	09/02 07/04
FRONTERA B (U99)	2.2 DTI (6B_ZC, 6B_VF, 6B_66, 6B_76)	85	10/98 09/02
FRONTERA B (U99)	2.2 i (6B_ZC, 6B_VF, 6B_66, 6B_76)	100	10/98 07/04
FRONTERA B (U99)	3.2 i (6B1VF, 6B1_6)	151	10/98 07/04
MONTEREY A (M92)	3.1 TD (UBS69D, UBS69G)	84	09/91 07/98
MONTEREY A (M92)	3.2 (UBS25D, UBS25G)	130	08/91 03/94
MONTEREY B (M98)	3.0 DTI (UBS73D, UBS73G)	117	07/98 08/99
MONTEREY B (M98)	3.5 V6 24V (UBS26D, UBS26G)	158	07/98 08/99

## VAUXHALL

Modello	Tipo	kW	Anno
FRONTERA Mk I (A) (U92)	2.0	85	04/95 08/98
FRONTERA Mk I (A) (U92)	2.2 i	100	03/95 10/98
FRONTERA Mk I (A) (U92)	2.3 TD	74	09/91 06/98
FRONTERA Mk I (A) (U92)	2.4 i	92	03/92 10/98
FRONTERA Mk I (A) (U92)	2.5 TDS	85	11/91 06/98
FRONTERA Mk I (A) (U92)	2.8 TD	83	01/95 12/96
FRONTERA Mk I (A) Sport (U92)	2.0 i	85	03/92 10/98
FRONTERA Mk I (A) Sport (U92)	2.5 TDS	85	09/96 10/98
FRONTERA Mk I (A) Sport (U92)	2.8 TD	83	01/95 12/96
FRONTERA Mk II (B) (U99)	2.2 DTI	85	10/98 09/04
FRONTERA Mk II (B) (U99)	2.2 i	100	10/98 10/04
FRONTERA Mk II (B) (U99)	3.2 i	151	10/98 10/04
MONTEREY (M92)	3.1 TD	84	09/91 07/98
MONTEREY (M92)	3.2	130	06/92 07/98
MONTEREY Mk II (M98)	3.0 DTI	117	07/98 08/99

**Codici OE****Codici OE compatibili**

ISUZU	8970340353
ISUZU	8970460800
OPEL	569051
VAUXHALL	97034035