

Dati tecnici disco

Assale Posteriore

Diametro
313 mm

Altezza totale (A)
80,2 mm

Diametro di centraggio (B)
101 mm

Numero fori (C)
6

Spessore (TH)
18 mm

Spessore min.
16,6 mm

Coppia di serraggio 
118 Nm

Unità per scatola
2

Codice EAN
8020584737712

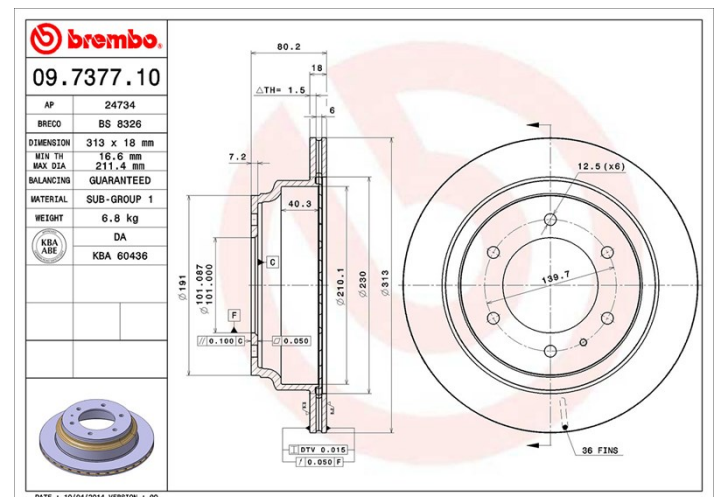


Codici marchi

Brembo
09.7377.10

AP
24734

Breco
BS 8326



Specifiche tecniche

Veicoli compatibili

GREAT WALL

Modello	Tipo	kW	Anno
HOVER	2.8 TCI 4WD	70	10/06 12/10
HOVER	2.4 LONG	95	09/06 12/07
HOVER Closed Off-Road Vehicle	2.0 All-wheel Drive	90	10/08 12/10
HOVER Closed Off-Road Vehicle	2.2	78	06/06 12/07
HOVER Closed Off-Road Vehicle	2.2 All-wheel Drive	78	06/06 12/07
HOVER Closed Off-Road Vehicle	2.4	100	01/07 12/08
HOVER Closed Off-Road Vehicle	2.4	93	11/05 10/08
HOVER Closed Off-Road Vehicle	2.4 All-wheel Drive	93	11/05 10/08
HOVER Closed Off-Road Vehicle	2.4 All-wheel Drive (CC6460)	100	01/07 12/08

HOVER Closed Off-Road Vehicle	2.5 TCI	80	10/08 12/10
HOVER Closed Off-Road Vehicle	2.5 TCI All-wheel Drive	80	10/08 12/10
HOVER Closed Off-Road Vehicle	2.8 TCI	70	06/06 12/10
HOVER H3	2.0	90	05/09 -
HOVER H3	2.0 4WD	90	01/10 -
HOVER H3	2.4	100	10/08 12/13
HOVER H3	2.4 All-wheel Drive	93	01/07 12/10
HOVER H3	2.4 All-wheel Drive	100	07/10 12/13
HOVER H3	2.5 TCI	80	01/10 12/13
HOVER H3	2.5 TCI All-wheel Drive	80	01/10 12/13
HOVER H3	2.8 TD	85	01/07 12/10
HOVER H3	2.8 TD 4WD	85	10/08 12/10
HOVER H5	2.0	90	08/10 12/14
HOVER H5	2.0 TD	110	10/10 12/14
HOVER H5	2.0 TD 4WD	110	10/10 12/14
HOVER H5	2.4	100	06/10 -
HOVER H5	2.4 4WD (CC6461)	100	06/10 12/13
HOVER H5	2.5 TCI	80	06/10 12/13
HOVER H5	2.5 TCI All-wheel Drive	80	06/10 12/11
ISUZU			
Modello	Tipo	kW	Anno
TROOPER II (UB)	3.1 TD	84	08/91 07/98
TROOPER II (UB)	3.2	130	08/91 07/98
TROOPER II Open Off-Road Vehide (UB)	2.6 4x4	85	08/91 04/96
TROOPER II Open Off-Road Vehide (UB)	3.1 TD	84	08/91 07/98
TROOPER II Open Off-Road Vehide (UB)	3.2	130	08/91 07/98
TROOPER III	3.0 DTI	117	05/98 08/04
TROOPER III	3.5 V6 24V AWD	158	04/00 08/04
TROOPER III Open Off-Road Vehicle	3.0 DTI	118	04/00 08/04
TROOPER III Open Off-Road Vehicle	3.5 V6 24V	158	04/00 08/04
OPEL			
Modello	Tipo	kW	Anno

FRONTERA A (U92)	2.2 i (54MML4)	100	03/95 10/98
FRONTERA A (U92)	2.3 TD (5JMML4)	74	03/92 10/98
FRONTERA A (U92)	2.4 i (53MML4)	92	03/92 10/98
FRONTERA A (U92)	2.5 TDS	85	09/96 10/98
FRONTERA A (U92)	2.8 TD (5BMML4, 5BSUD2)	83	03/95 08/98
FRONTERA A Sport (U92)	2.0 i (52SUD2, 55SUD2)	85	03/92 10/98
FRONTERA A Sport (U92)	2.5 TDS	85	09/96 10/98
FRONTERA A Sport (U92)	2.8 TD (5BSUD2)	83	03/95 08/96
FRONTERA B (U99)	2.2 DTI (6B_66, 6B_76)	88	09/02 07/04
FRONTERA B (U99)	2.2 DTI (6B_ZC, 6B_VF, 6B_66, 6B_76)	85	10/98 09/02
FRONTERA B (U99)	2.2 i (6B_ZC, 6B_VF, 6B_66, 6B_76)	100	10/98 07/04
FRONTERA B (U99)	3.2 i (6B1VF, 6B1_6)	151	10/98 07/04
MONTEREY A (M92)	3.1 TD (UBS69D, UBS69G)	84	09/91 07/98
MONTEREY A (M92)	3.2 (UBS25D, UBS25G)	130	08/91 03/94
MONTEREY B (M98)	3.0 DTI (UBS73D, UBS73G)	117	07/98 08/99
MONTEREY B (M98)	3.5 V6 24V (UBS26D, UBS26G)	158	07/98 08/99

VAUXHALL

Modello	Tipo	kW	Anno
FRONTERA Mk I (A) (U92)	2.0	85	04/95 08/98
FRONTERA Mk I (A) (U92)	2.2 i	100	03/95 10/98
FRONTERA Mk I (A) (U92)	2.3 TD	74	09/91 06/98
FRONTERA Mk I (A) (U92)	2.4 i	92	03/92 10/98
FRONTERA Mk I (A) (U92)	2.5 TDS	85	11/91 06/98
FRONTERA Mk I (A) (U92)	2.8 TD	83	01/95 12/96
FRONTERA Mk I (A) Sport (U92)	2.0 i	85	03/92 10/98
FRONTERA Mk I (A) Sport (U92)	2.5 TDS	85	09/96 10/98
FRONTERA Mk I (A) Sport (U92)	2.8 TD	83	01/95 12/96
FRONTERA Mk II (B) (U99)	2.2 DTI	85	10/98 09/04
FRONTERA Mk II (B) (U99)	2.2 i	100	10/98 10/04
FRONTERA Mk II (B) (U99)	3.2 i	151	10/98 10/04
MONTEREY (M92)	3.1 TD	84	09/91 07/98

MONTEREY (M92)	3.2	130	06/92 07/98
MONTEREY MkII (M98)	3.0 DTI	117	07/98 08/99
MONTEREY MkII (M98)	3.5 V6 24V	158	07/98 08/99

Codici OE

Codici OE compatibili

ISUZU	8943754251
ISUZU	8970340361
ISUZU	8970460811
OPEL	569104
OPEL	569106
OPEL	97034036
VAUXHALL	91151563