



BRAKE PAD PRIME CERAMIC P59030N

The P59030N NAO brake pad is synonymous with reliability

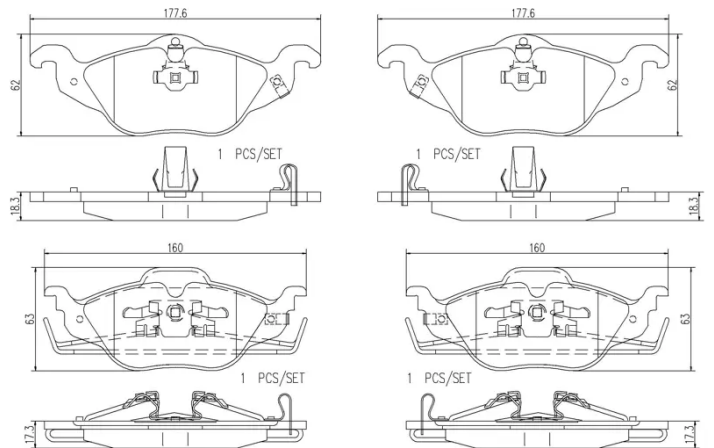
Brembo NAO brake pads stand out for their ultimate braking comfort, reduced friction wear and low dust mission, which makes for cleaner rims and reduced maintenance requirements. The advanced friction material in keeping with the strictest environmental standards is the main distinguishing feature of NAO compounds.

- ✓ OE-equivalent
- ✓ Brembo quality
- ✓ Safety
- ✓ Comfort
- ✓ Durability
- ✓ Dust reduction
- ✓ With accessories



Technical specifications

EAN code 8020584099148	Axle Front	Thickness 18 mm
Width 160 mm	Height 63 mm	Braking system Teves
Wear indicator Acoustic	WVA number 23063,23064,23066,23067	Accessories With accessories With anti-squeal shim With piston clip



COMPATIBLE VEHICLES

COMPATIBLE OE PART NUMBERS

1605000	OPEL
---------	------

1605034	OPEL
---------	------

1605070	OPEL
---------	------

1605091	OPEL
---------	------

1605121	OPEL
---------	------

1605959	OPEL
---------	------

90544025	OPEL
----------	------

9195144	OPEL
---------	------

9195607	OPEL
---------	------

93171035	OPEL
----------	------

93173379	OPEL
----------	------

93184519	OPEL
----------	------

93188726	OPEL
----------	------

95513834	OPEL
----------	------