



# BRAKE PAD PRIME CERAMIC P61071N

The P61071N NAO brake pad is synonymous with reliability

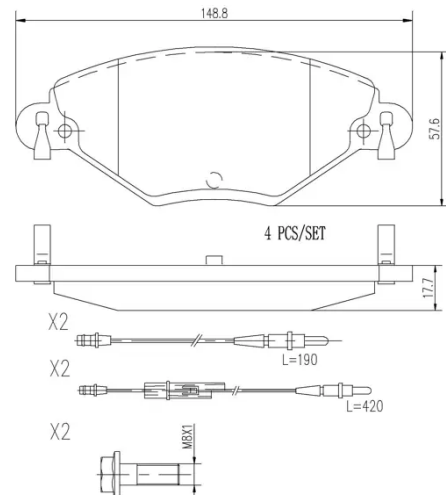
Brembo NAO brake pads stand out for their ultimate braking comfort, reduced friction wear and low dust mission, which makes for cleaner rims and reduced maintenance requirements. The advanced friction material in keeping with the strictest environmental standards is the main distinguishing feature of NAO compounds.

- ✓ OE-equivalent
- ✓ Brembo quality
- ✓ Safety
- ✓ Comfort
- ✓ Durability
- ✓ Dust reduction
- ✓ With accessories



## Technical specifications

EAN code <b>8020584089354</b>	Axle <b>Front</b>	Thickness <b>18 mm</b>
Width <b>149 mm</b>	Height <b>60 mm</b>	Braking system <b>Bosch</b>
Wear indicator <b>Electric</b>	WVA number <b>23277</b>	Accessories <b>With accessories</b> <b>With anti-squeal shim</b> <b>With brake caliper bolts</b>



**COMPATIBLE VEHICLES**

## COMPATIBLE OE PART NUMBERS

1611456480 CITROËN

---

1617257180 CITROËN

---

1636411580 CITROËN

---

425215 CITROËN

---

425248 CITROËN

---

425288 CITROËN

---

425346 CITROËN

---

E172229 CITROËN

---