



BRAKE PAD PRIME CERAMIC P83097N

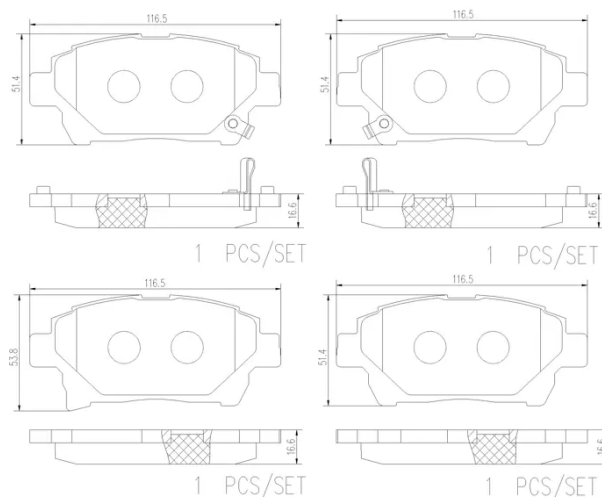
The P83097N NAO brake pad is synonymous with reliability

Brembo NAO brake pads stand out for their ultimate braking comfort, reduced friction wear and low dust mission, which makes for cleaner rims and reduced maintenance requirements. The advanced friction material in keeping with the strictest environmental standards is the main distinguishing feature of NAO compounds.

- ✓ OE-equivalent
- ✓ Brembo quality
- ✓ Safety
- ✓ Comfort
- ✓ Durability
- ✓ Dust reduction
- ✓ With accessories

Technical specifications

EAN code 8020584118825	Axle Front	Thickness 17 mm
Width 117 mm	Height 52 mm	Braking system Advics
Wear indicator Acoustic	WVA number 24778,24779,24780,24781	Accessories With anti-squeal shim



COMPATIBLE VEHICLES

COMPATIBLE OE PART NUMBERS

0446574020	TOYOTA
0446574030	TOYOTA