



# BRAKE PAD PRIME CERAMIC P83116N

The P83116N NAO brake pad is  
synonymous with reliability

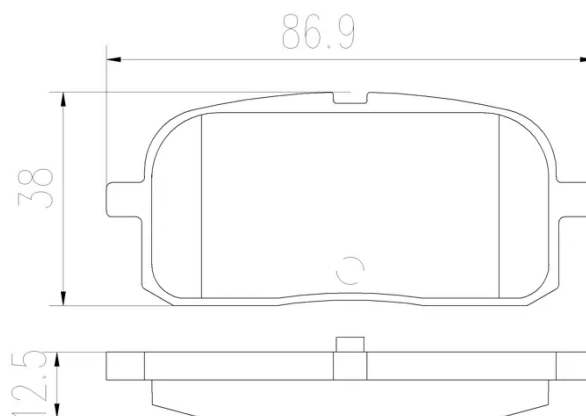
Brembo NAO brake pads stand out for their ultimate braking comfort, reduced friction wear and low dust mission, which makes for cleaner rims and reduced maintenance requirements. The advanced friction material in keeping with the strictest environmental standards is the main distinguishing feature of NAO compounds.

- ✓ OE-equivalent
- ✓ Brembo quality
- ✓ Safety
- ✓ Comfort
- ✓ Durability
- ✓ Dust reduction
- ✓ With accessories



## Technical specifications

EAN code	Axle	Thickness
<b>8020584087626</b>	<b>Rear</b>	<b>13 mm</b>
Width	Height	Braking system
<b>87 mm</b>	<b>38 mm</b>	<b>Akebono</b>
Wear indicator	WVA number	Accessories
<b>Without</b>	<b>23491</b>	<b>With anti-squeal shim</b>



4 PCS/SET

COMPATIBLE VEHICLES

## COMPATIBLE OE PART NUMBERS

AY060TY003	NISSAN
------------	--------

0446616010	TOYOTA
------------	--------

0446618010	TOYOTA
------------	--------

0446618018	TOYOTA
------------	--------

0449210010	TOYOTA
------------	--------

0449216010	TOYOTA
------------	--------

0449218010	TOYOTA
------------	--------