



# BRAKE PAD PRIME CERAMIC P85099N

The P85099N NAO brake pad is  
synonymous with reliability

Brembo NAO brake pads stand out for their ultimate braking comfort, reduced friction wear and low dust mission, which makes for cleaner rims and reduced maintenance requirements. The advanced friction material in keeping with the strictest environmental standards is the main distinguishing feature of NAO compounds.

- ✓ OE-equivalent
- ✓ Brembo quality
- ✓ Safety
- ✓ Comfort
- ✓ Durability
- ✓ Dust reduction
- ✓ With accessories



## Technical specifications

EAN code  
**8020584100165**

Axle  
**Rear**

Thickness  
**18 mm**

Width  
**116 mm**

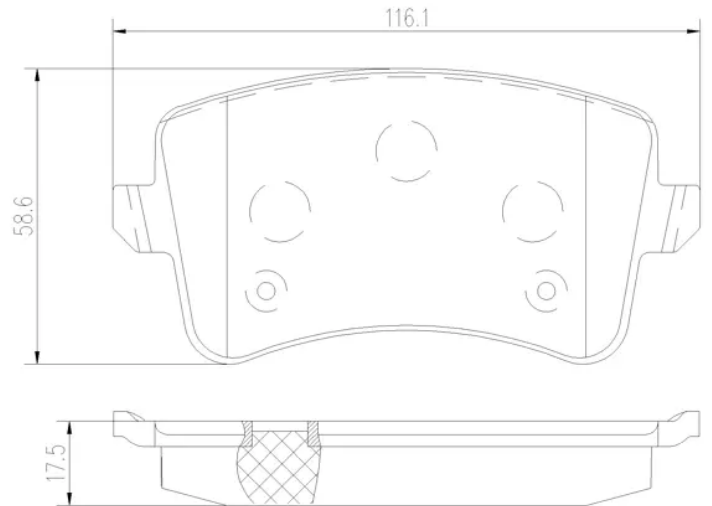
Height  
**59 mm**

Braking system  
**Lucas**

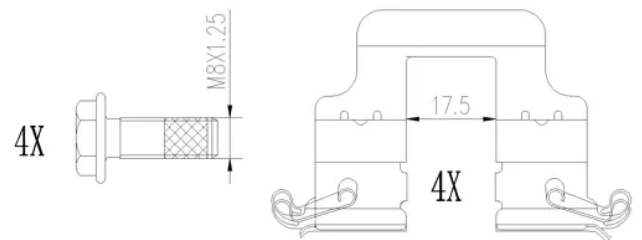
Wear indicator  
**Without**

WVA number  
**24606**

Accessories  
**With accessories  
With anti-squeal  
shim  
With brake caliper  
bolts**



4PCS/SET



## COMPATIBLE VEHICLES

## COMPATIBLE OE PART NUMBERS

8K0698451A	AUDI
8K0698451B	AUDI
8K0698451C	AUDI
8K0698451F	AUDI
8K0698451A	SEAT
8K0698451B	SEAT
8K0698451C	SEAT
8K0698451F	SEAT
8K0698451A	SKODA
8K0698451B	SKODA
8K0698451C	SKODA
8K0698451F	SKODA
8K0098601E	VW
8K0098601F	VW
8K0698451A	VW
8K0698451B	VW
8K0698451C	VW
8K0698451F	VW