



# BRAKE PAD

## P 23 066

The P 23 066 brake pad is synonymous with reliability



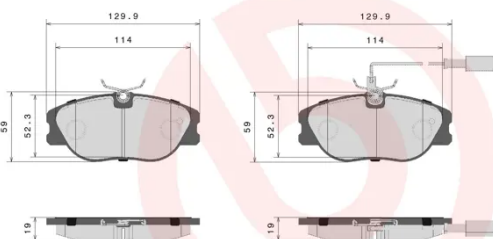
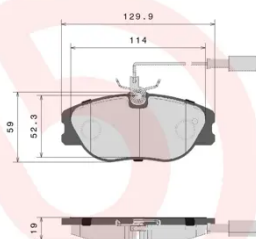


The Brembo brake pad guarantees ultimate safety when braking thanks to the use of more than 100 different compounds, designed according to the type of vehicle and use. Stopping distances reduced to a minimum, maximum driving comfort and silent operation are the most important features of Brembo materials. Brembo brake pads are supplied together with an extensive range of accessories and assembly kits for professional-standard installation.

- ✓ OE-equivalent
- ✓ Brembo quality
- ✓ ECE-R90 certificate
- ✓ Safety
- ✓ Performance
- ✓ Comfort
- ✓ With accessories



### Technical specifications

EAN code <b>8020584051368</b>	Axle <b>Front</b>	Thickness <b>19 mm</b>
Width <b>130 mm</b>	Height <b>59 mm</b>	Braking system <b>Lucas</b>
Wear indicator <b>Electric</b>	WVA number <b>21147,23168</b>	Accessories <b>With accessories With anti-squeal shim With brake caliper bolts</b>

	<b>P 23 066</b>		407.E672.455
			
			
WVA: 21147 QTY: x2		WVA: 23168 QTY: x2	
<small>DATE : 06/07/2023 VERSION : 00</small>			

COMPATIBLE VEHICLES

## COMPATIBLE OE PART NUMBERS

71748391 ALFA ROMEO

---

77362344 ALFA ROMEO

---

9941872 ALFA ROMEO

---

9944329 ALFA ROMEO

---

9944678 ALFA ROMEO

---

9946227 ALFA ROMEO

---

9946750 ALFA ROMEO

---

9950550 ALFA ROMEO

---

71748387 FIAT

---

71770975 FIAT

---

71748387 LANCIA

---

9940619 LANCIA

---

9941174 LANCIA

---