



# BRAKE PAD

## P 23 087

The P 23 087 brake pad is synonymous with reliability

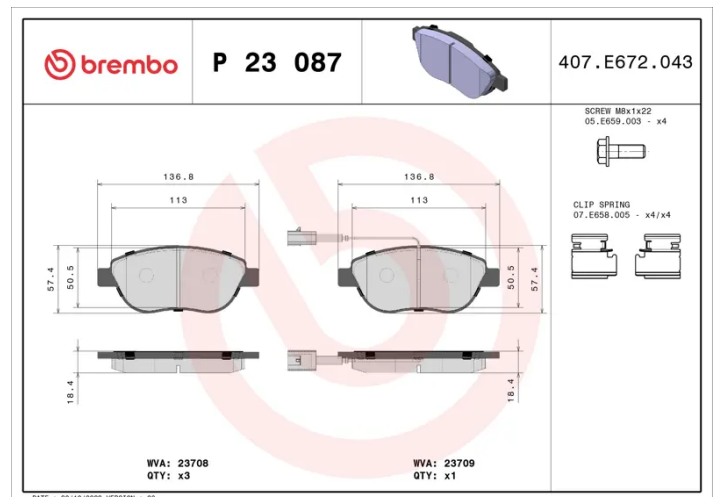
The Brembo brake pad guarantees ultimate safety when braking thanks to the use of more than 100 different compounds, designed according to the type of vehicle and use. Stopping distances reduced to a minimum, maximum driving comfort and silent operation are the most important features of Brembo materials. Brembo brake pads are supplied together with an extensive range of accessories and assembly kits for professional-standard installation.

- ✓ OE-equivalent
- ✓ Brembo quality
- ✓ ECE-R90 certificate
- ✓ Safety
- ✓ Performance
- ✓ Comfort
- ✓ With accessories



### Technical specifications

EAN code <b>8020584051573</b>	Axle <b>Front</b>	Thickness <b>19 mm</b>
Width <b>137 mm</b>	Height <b>57 mm</b>	Braking system <b>Bosch</b>
Wear indicator <b>Electric</b>	WVA number <b>23708,23709,23981</b>	Accessories <b>With accessories With anti-squeal shim With brake caliper bolts</b>



COMPATIBLE VEHICLES

## COMPATIBLE OE PART NUMBERS

77365623	ALFA ROMEO
0000071773409	FIAT
0006001073136	FIAT
51928528	FIAT
6001073136	FIAT
71752990	FIAT
71754803	FIAT
71770012	FIAT
71770030	FIAT
71770066	FIAT
71770086	FIAT
71770120	FIAT
71770122	FIAT
71770981	FIAT
71772222	FIAT
71772521	FIAT
77362092	FIAT
77362195	FIAT
77362710	FIAT
77362712	FIAT
77363420	FIAT
77363958	FIAT
77364473	FIAT
77364599	FIAT
77364875	FIAT
77365026	FIAT
77365113	FIAT
77365379	FIAT
77365623	FIAT
77365810	FIAT
9949276	FIAT
95511321	GENERAL MOTORS
77365026	LANCIA
77365623	LANCIA
1605157	OPEL
1605181	OPEL
95515027	OPEL
425408	PEUGEOT