



BRAKE PAD

P 24 072

The P 24 072 brake pad is synonymous with reliability

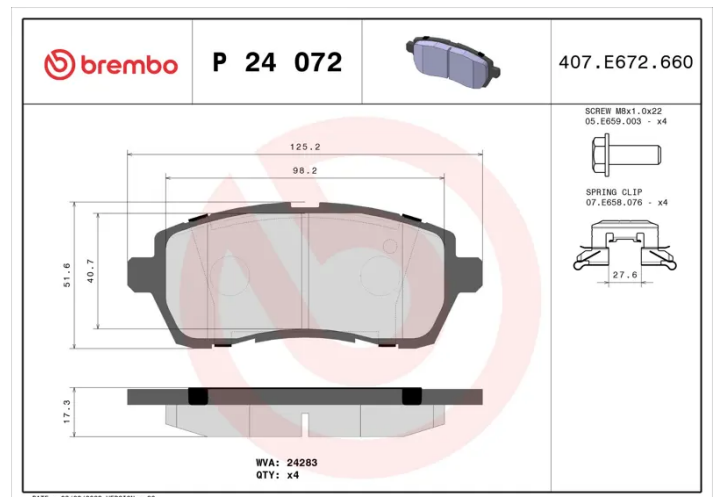
The Brembo brake pad guarantees ultimate safety when braking thanks to the use of more than 100 different compounds, designed according to the type of vehicle and use. Stopping distances reduced to a minimum, maximum driving comfort and silent operation are the most important features of Brembo materials. Brembo brake pads are supplied together with an extensive range of accessories and assembly kits for professional-standard installation.

- ✓ OE-equivalent
- ✓ Brembo quality
- ✓ ECE-R90 certificate
- ✓ Safety
- ✓ Performance
- ✓ Comfort
- ✓ With accessories



Technical specifications

EAN code 8020584060452	Axle Front	Thickness 18 mm
Width 126 mm	Height 52 mm	Braking system Lucas
Wear indicator Without	WVA number 24283	Accessories With accessories With anti-squeal shim With brake caliper bolts



COMPATIBLE VEHICLES

COMPATIBLE OE PART NUMBERS

04465B1310	DAIHATSU
04491B1030	DAIHATSU
04491B1031	DAIHATSU
04491B1032	DAIHATSU
1550219	FORD
1676630	FORD
1719275	FORD
1749322	FORD
1788734	FORD
1848518	FORD
1855307	FORD
2614604	FORD
8V512K021AA	FORD
8V512K021AB	FORD
8V512K021BA	FORD
8V512K021BB	FORD
8V512K021CA	FORD
AE8Z2001A	FORD
AE8Z2001B	FORD
AE8Z2001C	FORD
MAE8Z2001C	FORD
ME8V5J2K021AA	FORD
8V5Z2001B	FORD ASIA & OCEANIA
8V5Z2001C	FORD ASIA & OCEANIA
DNY03328Z	FORD ASIA & OCEANIA
DNY03328Z	FORD AUSTRALIA
D0YN3328Z	MAZDA
DNY03328Z	MAZDA
5581071L50	SUZUKI
5581071L50000	SUZUKI
04491B1030	TOYOTA
04491B1031	TOYOTA