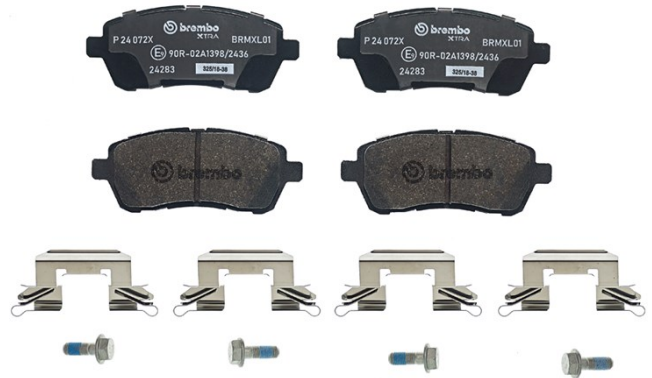


BRAKE PAD XTRA P 24 072X

The P 24 072X Xtra brake pad is synonymous with reliability

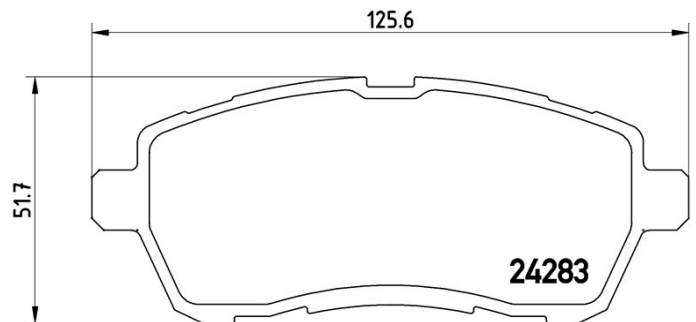
Brembo Xtra brake pads, developed to enhance the advantages of the Xtra and Max discs, are made using the special BRM X L01 compound which consists of more than 30 different components. Compared with the compound used for original-equivalent pads, the new solution assures a higher friction coefficient, which translates to more precise and stable braking, at both high and low temperatures. All this makes for greater driving comfort and improved pedal modularity, without compromising the product's mileage output.

- ✓ OE-equivalent
- ✓ Brembo quality
- ✓ ECE-R90 certificate
- ✓ Safety
- ✓ Performance
- ✓ Sports driving



Technical specifications

EAN code	Axle	Thickness
8020584068762	Front	18 mm
Width	Height	Braking system
126 mm	52 mm	Lucas
Wear indicator	WVA number	
Without	24283	



COMPATIBLE VEHICLES

FORD

FIESTA Saloon	1.6	89/121	10/10
FIESTA VI (CB1, CCN)	1.0	59/80	10/12 04/17
FIESTA VI (CB1, CCN)	1.0	48/65	01/13 04/17
FIESTA VI (CB1, CCN)	1.0 EcoBoost	92/125	09/12
FIESTA VI (CB1, CCN)	1.0 EcoBoost	74/100	01/13
FIESTA VI (CB1, CCN)	1.0 Sport	103/140	05/14 04/17
FIESTA VI (CB1, CCN)	1.25	44/60	06/08 04/17
FIESTA VI (CB1, CCN)	1.25	60/82	06/08 04/17
FIESTA VI (CB1, CCN)	1.4	71/97	10/08 09/12
FIESTA VI (CB1, CCN)	1.4 LPG	68/92	01/09 04/17
FIESTA VI (CB1, CCN)	1.4 LPG	71/97	01/09 04/17

FIESTA VI (CB1, CCN)	1.4 TDCi	51/70	07/10 09/12
FIESTA VI (CB1, CCN)	1.4 TDCi	50/68	01/09 09/12
FIESTA VI (CB1, CCN)	1.5 Flex	82/111	05/13
FIESTA VI (CB1, CCN)	1.5 TDCi	55/75	09/12 04/17
FIESTA VI (CB1, CCN)	1.5 TDCi	70/95	05/15 04/17
FIESTA VI (CB1, CCN)	1.6	89/121	10/10
FIESTA VI (CB1, CCN)	1.6	90/122	01/11
FIESTA VI (CB1, CCN)	1.6	62/85	03/15
FIESTA VI (CB1, CCN)	1.6 TDCi	70/95	02/10 12/15
FIESTA VI (CB1, CCN)	1.6 TDCi	55/75	06/08 12/12
FIESTA VI (CB1, CCN)	1.6 TDCi	66/90	06/08 12/12
FIESTA VI (CB1, CCN)	1.6 Ti	77/105	09/12
FIESTA VI (CB1, CCN)	1.6 Ti	99/134	12/10
FIESTA VI (CB1, CCN)	1.6 Ti	88/120	06/08 09/12
FIESTA VI Van	1.0	59/80	10/12
FIESTA VI Van	1.0	48/65	01/13
FIESTA VI Van	1.0 EcoBoost	92/125	09/12
FIESTA VI Van	1.0 EcoBoost	74/100	01/13
FIESTA VI Van	1.0 EcoBoost	103/140	05/14
FIESTA VI Van	1.25	60/82	01/09
FIESTA VI Van	1.4 TDCi	50/68	01/09
FIESTA VI Van	1.4 TDCi	51/70	07/10
FIESTA VI Van	1.5 TDCi	55/75	10/12
FIESTA VI Van	1.5 TDCi	70/95	05/15
FIESTA VI Van	1.6 ST	134/182	03/13
FIESTA VI Van	1.6 TDCi	66/90	01/09
FIESTA VI Van	1.6 TDCi	70/95	02/10

FORD AUSTRALIA

FIESTA Hatchback (WS)	1.4 i	71/97	10/09 12/10
FIESTA Hatchback (WS)	1.6 i	88/120	10/08 12/10
FIESTA Hatchback (WS)	1.6 TDCi	66/90	01/09 12/10
FIESTA Hatchback (WT)	1.6 i	89/121	10/10 12/12
FIESTA Hatchback (WT)	1.6 TD	66/90	10/10 12/12
FIESTA Hatchback (WZ)	1.0 EcoBoost	92/125	09/13
FIESTA Hatchback (WZ)	1.5	82/112	05/13
FIESTA Hatchback (WZ)	1.6 ST	134/182	09/13
FIESTA Saloon (WT)	1.6 i	89/121	10/10 12/12
FIESTA Saloon (WT)	1.6 TD	66/90	10/10 12/12

MAZDA

2 (DE_, DH_)	1.5 (DE5FS)	76/103	07/07 06/15
2 (DE_, DH_)	1.6 MZ-CD	66/90	10/08 06/15

TOYOTA

TANK / ROOMY (M9_)	1.0 (M900A_)	51/69	11/16
TANK / ROOMY (M9_)	1.0 (M900A_)	72/98	11/16
TANK / ROOMY (M9_)	1.0 4WD (M910A_)	51/69	11/16
TANK / ROOMY (M9_)	1.0 4WD (M910A_)	72/98	11/16

COMPATIBLE OE PART NUMBERS

04465B1310 DAIHATSU

04491B1030 DAIHATSU

04491B1031 DAIHATSU

04491B1032	DAIHATSU
1550219	FORD
1676630	FORD
1719275	FORD
1749322	FORD
1788734	FORD
1848518	FORD
1855307	FORD
8V512K021AA	FORD
8V512K021AB	FORD
8V512K021BA	FORD
8V512K021BB	FORD
8V512K021CA	FORD
AE8Z2001A	FORD
AE8Z2001B	FORD
AE8Z2001C	FORD
MAE8Z2001C	FORD
ME8V5J2K021AA	FORD
DNY03328Z	FORD ASIA & OCEANIA
DNY03328Z	FORD AUSTRALIA
D0YN3328Z	MAZDA
DNY03328Z	MAZDA
5581071L50	SUZUKI
5581071L50000	SUZUKI
04491B1030	TOYOTA
04491B1031	TOYOTA