



# BRAKE PAD

## P 59 016

The P 59 016 brake pad is synonymous with reliability

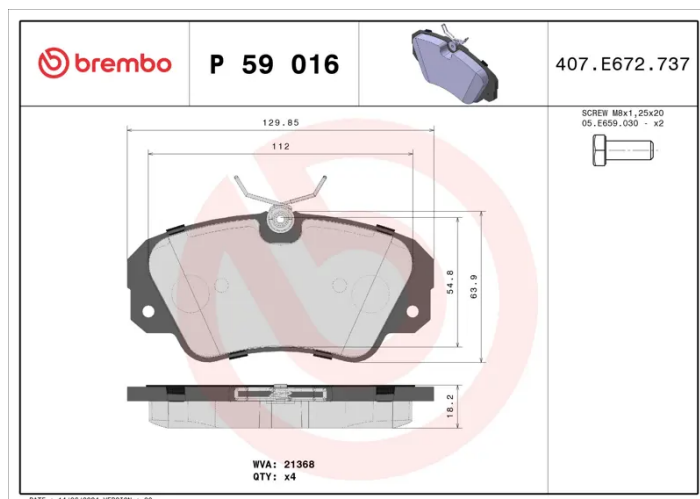
The Brembo brake pad guarantees ultimate safety when braking thanks to the use of more than 100 different compounds, designed according to the type of vehicle and use. Stopping distances reduced to a minimum, maximum driving comfort and silent operation are the most important features of Brembo materials. Brembo brake pads are supplied together with an extensive range of accessories and assembly kits for professional-standard installation.

- ✓ OE-equivalent
- ✓ Brembo quality
- ✓ ECE-R90 certificate
- ✓ Safety
- ✓ Performance
- ✓ Comfort
- ✓ With accessories



### Technical specifications

EAN code <b>8020584055472</b>	Axle <b>Front</b>	Thickness <b>18 mm</b>
Width <b>130 mm</b>	Height <b>64 mm</b>	Braking system <b>Lucas</b>
Wear indicator <b>Prepared for wear indicator</b>	WVA number <b>21368</b>	Accessories <b>With accessories With anti-squeal shim With brake caliper bolts</b>



**COMPATIBLE VEHICLES**

## COMPATIBLE OE PART NUMBERS

1605004 OPEL

---

1605033 OPEL

---

1605782 OPEL

---

1605785 OPEL

---

1605932 OPEL

---

90393506 OPEL

---

90398116 VAUXHALL

---

90541293 VAUXHALL

---

9192124 VAUXHALL

---

9195077 VAUXHALL

---