



# BRAKE PAD

## P 83 019

**The P 83 019 brake pad is synonymous with reliability**

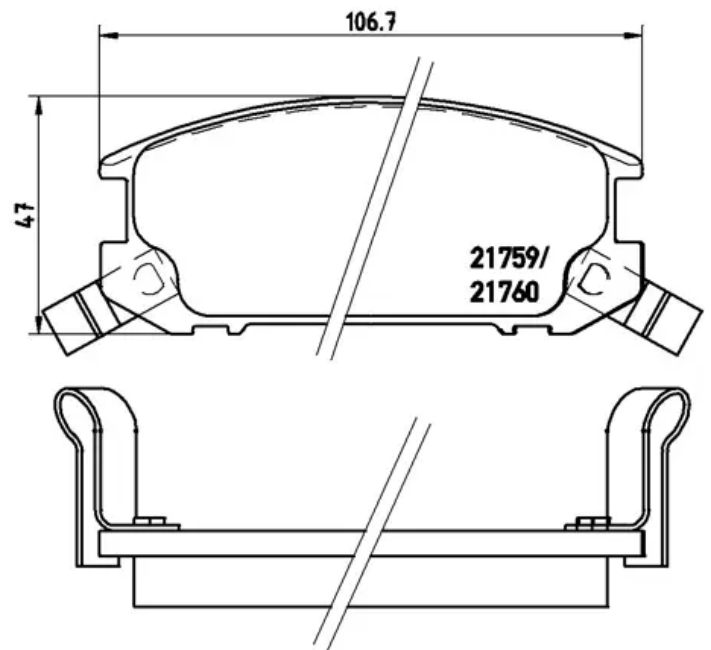
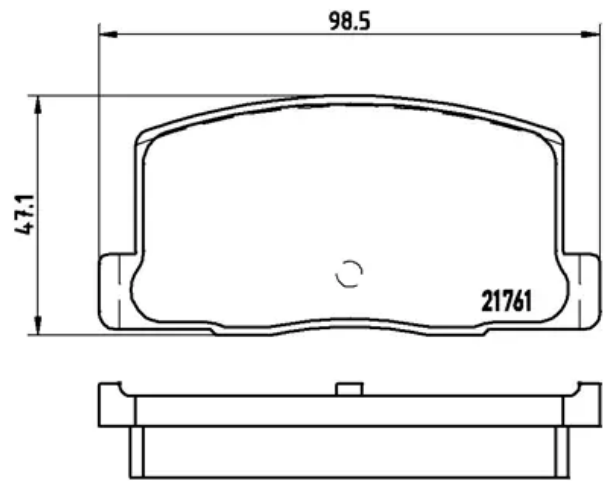
The Brembo brake pad guarantees ultimate safety when braking thanks to the use of more than 100 different compounds, designed according to the type of vehicle and use. Stopping distances reduced to a minimum, maximum driving comfort and silent operation are the most important features of Brembo materials. Brembo brake pads are supplied together with an extensive range of accessories and assembly kits for professional-standard installation.

- ✓ OE-equivalent
- ✓ Brembo quality
- ✓ ECE-R90 certificate
- ✓ Safety
- ✓ Performance
- ✓ Comfort



## Technical specifications

EAN code	Axle	Thickness
<b>8020584057544</b>	<b>Rear</b>	<b>15 mm</b>
Width	Height	Braking system
<b>99 mm</b>	<b>47 mm</b>	<b>Akebono</b>
Wear indicator	WVA number	Accessories
<b>Acoustic</b>	<b>21759,21760,21761</b>	<b>With anti-squeal shim</b>



COMPATIBLE VEHICLES

## COMPATIBLE OE PART NUMBERS

AY060TY011 NISSAN

---

0446617010 TOYOTA

---

0446617020 TOYOTA

---

0446617030 TOYOTA

---

0446617040 TOYOTA

---

0446617050 TOYOTA

---

0446617051 TOYOTA

---

0446617060 TOYOTA

---

0446617070 TOYOTA

---

0446617080 TOYOTA

---

0446617090 TOYOTA

---

0446617100 TOYOTA

---

04466YZZC3 TOYOTA

---

0449217010 TOYOTA

---

0449217011 TOYOTA

---

0449217020 TOYOTA

---

0449217030 TOYOTA

---

0449217040 TOYOTA

---