

Dati tecnici pastiglie

Assale
Anteriore

WVA
20011

Larghezza
76,6 mm

Spessore
15 mm

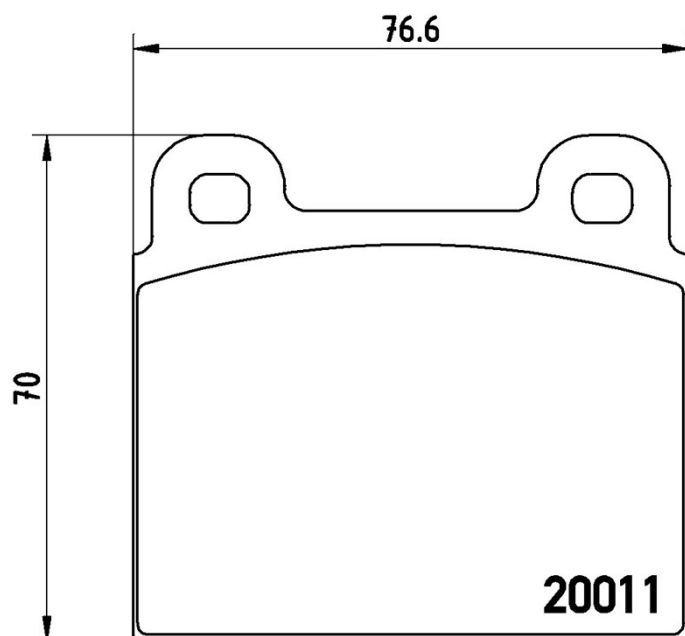
Altezza
70 mm

Sistema frenante
Teves

Accessori

Indicatore di Usura
Senza

Codice EAN
8020584050712



Veicoli compatibili

ALFA ROMEO

Modello	Tipo	kW	Anno
GT (105_)	V 2000 (105)	96	01/71 12/77
MONTREAL (105_)	2.6 (105,64)	143	12/72 03/79
SPIDER (105_)	1750	83	01/67 12/71
SPIDER (105_)	2000	96	01/71 12/77
SPIDER (115_)	2000	93	01/77 12/93
SPIDER (115_)	2000	88	01/90 12/93
SPIDER (115_)	2000	85	08/86 12/90
SPIDER (115_)	2000	92	08/86 12/90

FERRARI

Modello	Tipo	kW	Anno
208/308 Coupe	208 Turbo	162	06/82 10/89
208/308 Coupe	308 GTB	188	09/75 06/80
208/308 Coupe	308 GTB Qv	177	09/82 06/85
208/308 Coupe	308 GTS	188	09/77 06/80
208/308 Coupe	308 GTS Qv	177	09/82 06/85
DINO GT (206/246)	206	132	02/69 10/69
DINO GT (206/246)	246	143	10/69 10/73
DINO GT4 (208/308)	208	125	02/75 06/80
DINO GT4 (208/308)	308	188	02/74 06/80
DINO GTS (206/246)	246	143	04/72 10/73

MERCEDES-BENZ

Modello	Tipo	kW	Anno
/8 (W115)	200	70	01/68 01/77
/8 (W115)	200 (115.015)	63	01/68 01/77
/8 (W115)	200 D (115.115)	40	01/68 01/77
/8 (W115)	220 (115.010)	66	01/68 07/73
/8 (W115)	220 (115.010)	77	01/68 07/73
/8 (W115)	220 D (115.110)	44	01/68 01/77
/8 (W115)	230.4 (115.017)	81	08/73 12/76
/8 (W115)	240 D (115.117)	48	08/73 01/77
COUPE (W111)	250 SE (111.021)	110	01/65 12/67
COUPE (W111)	280 SE (111.024)	118	01/67 12/71
COUPE (W111)	280 SE 3.5 (111.026)	147	01/69 12/71
HECKFLOSSE (W110)	190 C (110.010)	59	04/61 08/65
HECKFLOSSE (W110)	200	70	07/65 02/68
HECKFLOSSE (W110)	200 (110.010)	61	07/65 02/68
HECKFLOSSE (W110)	200 D (110.110)	40	07/65 02/68
HECKFLOSSE (W110)	230	88	06/66 12/67
HECKFLOSSE (W110)	230 (110.011)	77	07/65 02/68
HECKFLOSSE (W111, W112)	220 B (111.010)	70	08/59 08/65

HECKFLOSSE (W111, W112)	220 SB (111.012)	81	08/59 08/65
HECKFLOSSE (W111, W112)	220 SEB (111.014)	88	08/59 08/65
HECKFLOSSE (W111, W112)	230 S (111.010)	88	07/65 01/68
PAGODE (W113)	250 SL (113.043)	110	01/66 01/68
PAGODE (W113)	280 SL (113.044)	125	01/68 03/71

Codici OE

Codici OE compatibili

ALFA ROMEO	0060713601
ALFA ROMEO	0060723584
ALFA ROMEO	105412205300
ALFA ROMEO	10541220530025
ALFA ROMEO	10541220530030
ALFA ROMEO	105412600310
ALFA ROMEO	60723584
AUDI	211698151
AUDI	211698151A
AUDI	211698151B
AUDI	211698151D
AUDI	211698151F
AUDI	211698151G
FERRARI	108133
FERRARI	607E681000
MERCEDES-BENZ	0004206620
MERCEDES-BENZ	0004206720
MERCEDES-BENZ	0005860042
MERCEDES-BENZ	0005860542
MERCEDES-BENZ	0005860642
MERCEDES-BENZ	0005861942
MERCEDES-BENZ	0005862942
MERCEDES-BENZ	0005863742
MERCEDES-BENZ	0005863842

MERCEDES-BENZ	0005864442
MERCEDES-BENZ	0005867242
MERCEDES-BENZ	0014207720
MERCEDES-BENZ	0015861942
MERCEDES-BENZ	0015863142
MERCEDES-BENZ	0015868342
MERCEDES-BENZ	006071360100
MERCEDES-BENZ	A0004206620
MERCEDES-BENZ	A0004206720
MERCEDES-BENZ	A0005860042
MERCEDES-BENZ	A0005860542
MERCEDES-BENZ	A0005860642
MERCEDES-BENZ	A0005861942
MERCEDES-BENZ	A0005862942
MERCEDES-BENZ	A0005863742
MERCEDES-BENZ	A0005863842
MERCEDES-BENZ	A0005864442
MERCEDES-BENZ	A0005867242
MERCEDES-BENZ	A0014207720
MERCEDES-BENZ	A0015861942
MERCEDES-BENZ	A0015863142
MERCEDES-BENZ	A0015868342
MERCEDES-BENZ	A006071360100
OPEL	1605001
OPEL	1605006
OPEL	1605007
OPEL	1605129
OPEL	1605131
OPEL	1605143
OPEL	1605152
OPEL	1605153

OPEL	1605154
OPEL	1605155
OPEL	1605156
OPEL	1605189
OPEL	1605190
OPEL	1605191
OPEL	1605217
OPEL	1605220
OPEL	1605513
OPEL	1605719
OPEL	1605721
OPEL	90017982
OPEL	9192126
PORSCHE	91135195000
SEAT	211698151
SEAT	211698151A
SEAT	211698151B
SEAT	211698151D
SEAT	211698151F
SEAT	211698151G
SKODA	211698151
SKODA	211698151A
SKODA	211698151B
SKODA	211698151D
SKODA	211698151F
SKODA	211698151G
VAUXHALL	9192126
VW	211698151
VW	211698151A
VW	211698151B
VW	211698151D

VW

211698151F

VW

211698151G
