

Dati tecnici pastiglie

Assale
Anteriore

WVA
20708, 20847

Larghezza
99,3 mm

Spessore
16,5 mm

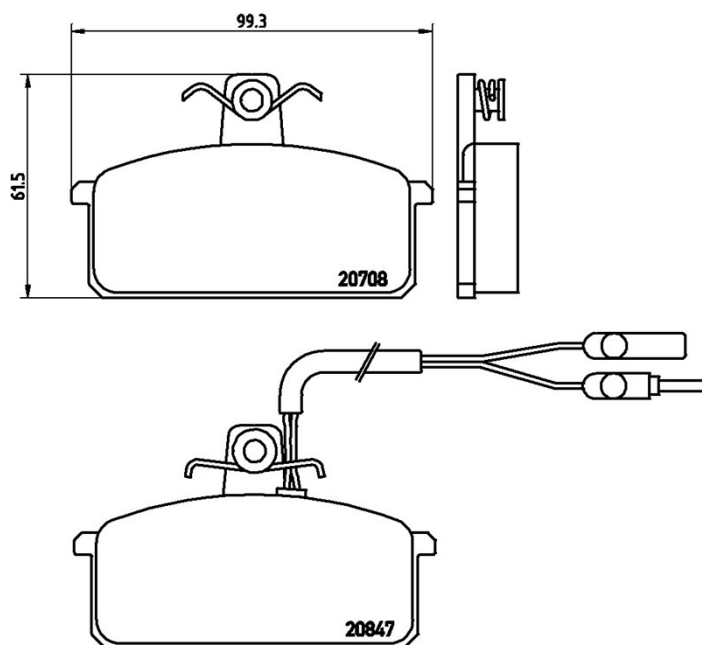
Altezza
61,5 mm

Sistema frenante
Lucas

Accessori
Con bulloni pinza freno

Indicatore di Usura
Elettrico

Codice EAN
8020584050897



Veicoli compatibili

LANCIA				
Modello	Tipo	kW	Anno	
DELTA I (831_)	1.1 (831AB.015)	47	01/86 12/90	
DELTA I (831_)	1.3	58	09/83 08/92	
DELTA I (831_)	1.3 (831AB.011)	55	09/79 08/92	
DELTA I (831_)	1.5 (831AB.025)	63	09/79 12/92	
PRISMA (831_)	1.3 (831AB)	58	01/83 12/89	
PRISMA (831_)	1.5 (831AB)	63	01/83 04/86	
PRISMA (831_)	1.9 Diesel (831AB)	48	01/83 02/92	

SAAB

Modello	Tipo	kW	Anno
600	1.5	63	01/80 12/86
SEAT			
Modello	Tipo	kW	Anno
IBIZA I (021A)	0.9	32	08/86 05/93
IBIZA I (021A)	0.9	29	08/90 05/93
IBIZA I (021A)	1.2	44	11/84 12/93
IBIZA I (021A)	1.2	46	11/84 12/93
IBIZA I (021A)	1.2 i	52	01/89 05/93
IBIZA I (021A)	1.5	63	11/84 05/93
IBIZA I (021A)	1.5 i	65	10/86 05/93
IBIZA I (021A)	1.5 i	74	10/86 05/93
IBIZA I (021A)	1.5 i Cat	66	10/86 05/93
IBIZA I (021A)	1.7	72	01/91 05/93
IBIZA I (021A)	1.7 D	40	06/84 05/93
IBIZA I (021A)	1.7 D	42	08/90 05/93
MALAGA (023A)	1.2	44	05/85 12/93
MALAGA (023A)	1.2	47	11/84 12/93
MALAGA (023A)	1.2 i	52	12/89 12/93
MALAGA (023A)	1.5	63	05/85 12/93
MALAGA (023A)	1.5 i	74	01/87 12/93
MALAGA (023A)	1.5 i Cat	66	10/86 12/93
MALAGA (023A)	1.7 D	40	05/85 12/93
MALAGA (023A)	1.7 D	42	05/90 12/93
RONDA (022A)	1.2	47	08/83 05/85
RONDA (022A)	1.2	44	10/84 12/86
RONDA (022A)	1.4	54	06/82 11/88
RONDA (022A)	1.5	63	09/84 12/86
RONDA (022A)	1.6	68	08/83 09/85
RONDA (022A)	1.7 Diesel	40	06/82 12/86
RONDA (022A)	1.7 Diesel	41	06/82 12/86

Codici OE

Codici OE compatibili

ALFA ROMEO	5888546
ALFA ROMEO	5983913
ALFA ROMEO	82361902
ALFA ROMEO	9938719
ALFA ROMEO	9939353
AUDI	21165081
FIAT	71770949
LANCIA	09941718
LANCIA	792488
LANCIA	9939953
SEAT	21165081
SKODA	21165081
VW	21165081