

Dati tecnici pastiglie

Assale
Posteriore

WVA
25603, 25604

Larghezza
137,1 mm

Spessore
17,8 mm

Altezza
58,5 - 60,8 mm

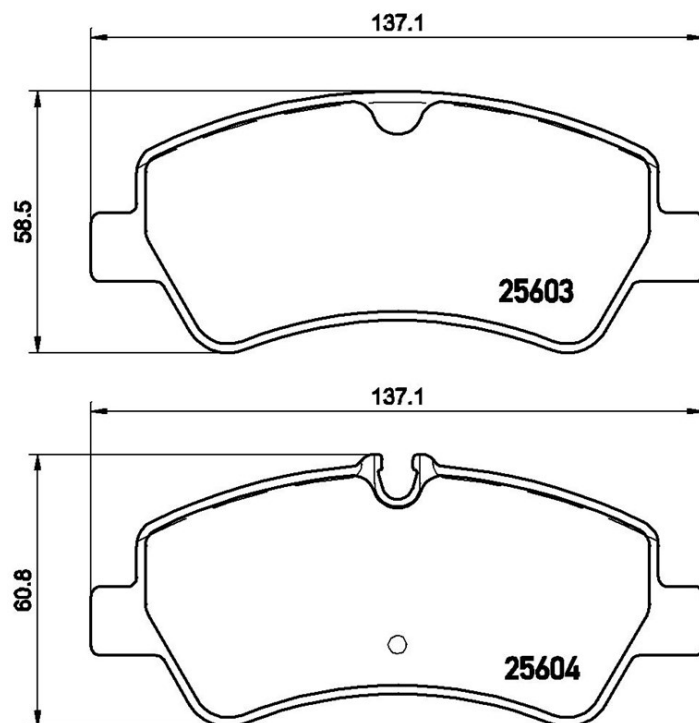
Sistema frenante
TRW

Accessori
Con accessori
Con bulloni pinza freno

Indicatore di Usura
Predisposto

Codice EAN
8020584109861





Veicoli compatibili

FORD

Modello	Tipo	kW	Anno
TOURNEO CUSTOM Bus	2.0 TDCi	77	12/15 -
TOURNEO CUSTOM Bus	2.0 TDCi	96	12/15 -
TOURNEO CUSTOM Bus	2.0 TDCi	125	12/15 -
TOURNEO CUSTOM Bus	2.2 TDCi	74	04/12 -
TOURNEO CUSTOM Bus	2.2 TDCi	92	04/12 -
TOURNEO CUSTOM Bus	2.2 TDCi	114	04/12 -
TRANSIT Box	2.0 TDCi	77	03/16 -

TRANSIT Box	2.0 TDCi	96	03/16 -
TRANSIT Box	2.0 TDCi	125	03/16 -
TRANSIT Box	2.0 TDCi 4x4	96	01/17 -
TRANSIT Box	2.0 TDCi 4x4	125	01/17 -
TRANSIT Box	2.0 TDCi RWD	77	03/16 -
TRANSIT Box	2.0 TDCi RWD	96	03/16 -
TRANSIT Box	2.0 TDCi RWD	125	03/16 -
TRANSIT Box	2.2 TDCi	74	08/13 -
TRANSIT Box	2.2 TDCi	92	08/13 -
TRANSIT Box	2.2 TDCi	114	08/13 -
TRANSIT Box	2.2 TDCi 4x4	92	08/13 -
TRANSIT Box	2.2 TDCi 4x4	114	08/13 -
TRANSIT Box	2.2 TDCi RWD	74	08/13 -
TRANSIT Box	2.2 TDCi RWD	92	08/13 -
TRANSIT Box	2.2 TDCi RWD	114	08/13 -
TRANSIT Box	3.7 RWD	205	09/15 -
TRANSIT Bus	2.0 TDCi	77	03/16 -
TRANSIT Bus	2.0 TDCi	96	03/16 -
TRANSIT Bus	2.0 TDCi	125	03/16 -
TRANSIT Bus	2.2 TDCi	74	08/13 -
TRANSIT Bus	2.2 TDCi	92	08/13 -
TRANSIT Bus	2.2 TDCi	114	12/14 -
TRANSIT Bus	2.2 TDCi 4x4	92	08/13 -
TRANSIT Bus	2.2 TDCi All-wheel Drive	114	12/14 -
TRANSIT Bus	2.2 TDCi RWD	74	08/13 -
TRANSIT Bus	2.2 TDCi RWD	92	08/13 -
TRANSIT Bus	2.2 TDCi RWD	99	08/13 -
TRANSIT Bus	2.2 TDCi RWD	114	08/13 -
TRANSIT Bus	3.7	205	09/15 -
TRANSIT CUSTOM Box	2.0 TDCi	77	12/15 -
TRANSIT CUSTOM Box	2.0 TDCi	96	12/15 -

TRANSIT CUSTOM Box	2.0 TDCi	125	12/15 -
TRANSIT CUSTOM Box	2.2 TDCi	74	04/12 -
TRANSIT CUSTOM Box	2.2 TDCi	92	04/12 -
TRANSIT CUSTOM Box	2.2 TDCi	114	04/12 -
TRANSIT CUSTOM Bus	2.0 TDCi	77	12/15 -
TRANSIT CUSTOM Bus	2.0 TDCi	96	12/15 -
TRANSIT CUSTOM Bus	2.0 TDCi	125	12/15 -
TRANSIT CUSTOM Bus	2.2 TDCi	74	04/12 -
TRANSIT CUSTOM Bus	2.2 TDCi	92	04/12 -
TRANSIT CUSTOM Bus	2.2 TDCi	114	04/12 -
TRANSIT Platform/Chassis	2.0 TDCi	77	03/16 -
TRANSIT Platform/Chassis	2.0 TDCi	96	03/16 -
TRANSIT Platform/Chassis	2.0 TDCi	125	03/16 -
TRANSIT Platform/Chassis	2.0 TDCi 4x4	96	01/17 -
TRANSIT Platform/Chassis	2.0 TDCi 4x4	125	01/17 -
TRANSIT Platform/Chassis	2.0 TDCi RWD	77	03/16 -
TRANSIT Platform/Chassis	2.0 TDCi RWD	96	03/16 -
TRANSIT Platform/Chassis	2.0 TDCi RWD	125	03/16 -
TRANSIT Platform/Chassis	2.2 TDCi	74	08/13 -
TRANSIT Platform/Chassis	2.2 TDCi	92	08/13 -
TRANSIT Platform/Chassis	2.2 TDCi	114	08/13 -
TRANSIT Platform/Chassis	2.2 TDCi 4x4	92	08/13 -
TRANSIT Platform/Chassis	2.2 TDCi 4x4	114	08/13 -
TRANSIT Platform/Chassis	2.2 TDCi RWD	74	08/13 -
TRANSIT Platform/Chassis	2.2 TDCi RWD	92	08/13 -
TRANSIT Platform/Chassis	2.2 TDCi RWD	99	08/13 -
TRANSIT Platform/Chassis	2.2 TDCi RWD	114	08/13 -
FORD AUSTRALIA			
Modello	Tipo	kW	Anno
TOURNEO CUSTOM Bus	2.2 TDCi	114	05/14 -
TRANSIT Box (VO)	2.0 TDCi	125	03/17 -
TRANSIT Box (VO)	2.2 TDCi RWD	114	09/14 -

TRANSIT CUSTOM Box (VN)	2.0 TDCi	96	12/16 -
TRANSIT CUSTOM Box (VN)	2.2 TDCi	92	09/13 -
TRANSIT Platform/Chassis (VO)	2.2 TDCi RWD	114	09/14 -

Codici OE

Codici OE compatibili

FORD	1763916
FORD	1829395
FORD	1840037
FORD	BK212M008AA
FORD	BK212M008AB
FORD	BK212M008AC