

## Dati tecnici pastiglie

**Assale**  
Posteriore

**WVA**  
24258, 24259, 24577

**Larghezza**  
142,5 mm

**Spessore**  
17,9 mm

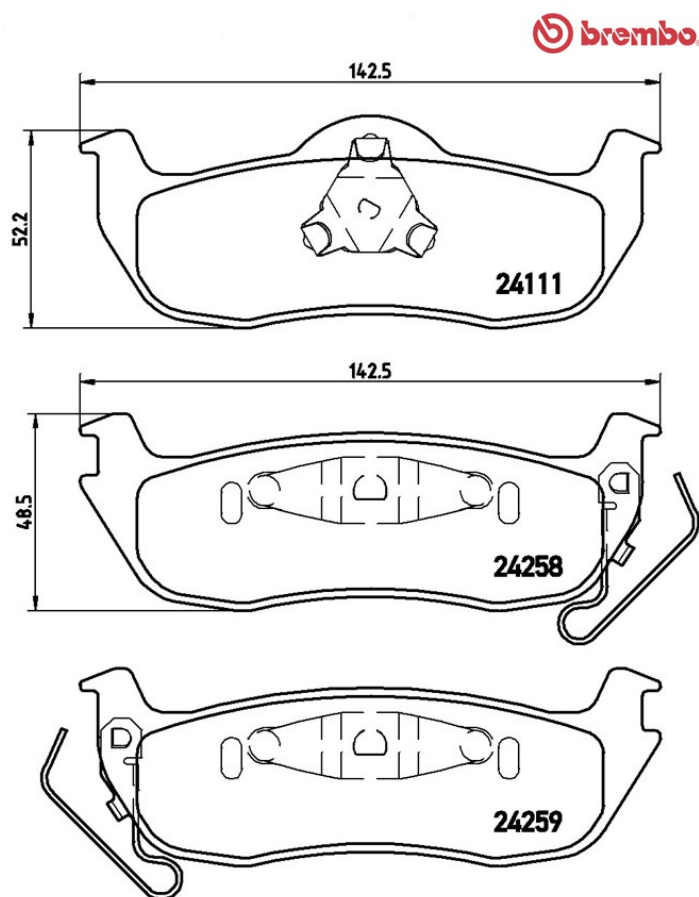
**Altezza**  
49,3 - 52,2 mm

**Sistema frenante**  
Kelsey Hayes

**Accessori**

**Indicatore di Usura**  
Acustico

**Codice EAN**  
8020584060902



## Veicoli compatibili

### JEEP

Modello	Tipo	kW	Anno
COMMANDER (XK, XH)	3.0 CRD 4x4	160	04/06 12/10
COMMANDER (XK, XH)	3.7 V6 4x4	157	09/05 12/10
COMMANDER (XK, XH)	4.7 V8 4x4	170	09/05 12/10
COMMANDER (XK, XH)	5.7 V8 4x4	240	09/05 12/10
GRAND CHEROKEE III (MH, WK)	3.0 CRD	160	06/05 12/10

GRAND CHEROKEE III (MH, WK)	3.0 CRD 4x4	155	05/06 12/10
GRAND CHEROKEE III (MH, WK)	3.0 CRD 4x4	160	06/05 12/10
GRAND CHEROKEE III (MH, WK)	3.7 V6	157	10/04 12/10
GRAND CHEROKEE III (MH, WK)	3.7 V6 4x4	148	01/08 12/10
GRAND CHEROKEE III (MH, WK)	3.7 V6 4x4	157	10/04 12/10
GRAND CHEROKEE III (MH, WK)	4.7 V8	167	10/04 05/10
GRAND CHEROKEE III (MH, WK)	4.7 V8 4x4	164	06/05 12/10
GRAND CHEROKEE III (MH, WK)	4.7 V8 4x4	170	06/05 12/10
GRAND CHEROKEE III (MH, WK)	4.7 V8 4x4	167	10/07 05/10
GRAND CHEROKEE III (MH, WK)	5.7	240	06/05 12/08
GRAND CHEROKEE III (MH, WK)	5.7 V8 4x4	265	01/09 12/10
GRAND CHEROKEE III (MH, WK)	5.7 V8 4x4	259	01/09 12/10
GRAND CHEROKEE III (MH, WK)	5.7 V8 4x4	240	06/05 12/10

## Codici OE

### Codici OE compatibili

CHRYSLER	05080871AA
CHRYSLER	05080871AB
CHRYSLER	K05080871AA
CHRYSLER	K05080871AB
JEEP	05080871AA
JEEP	5080871AA
JEEP	5080871AB
JEEP	K05080871AA
JEEP	K05080871AB
JEEP	V2010871AB
JEEP	V2010871AC