

Dati tecnici pastiglie

Assale
Anteriore

WVA
25190, 25191, 25192

Larghezza
194,3 - 193,1 mm

Spessore
21,3 mm

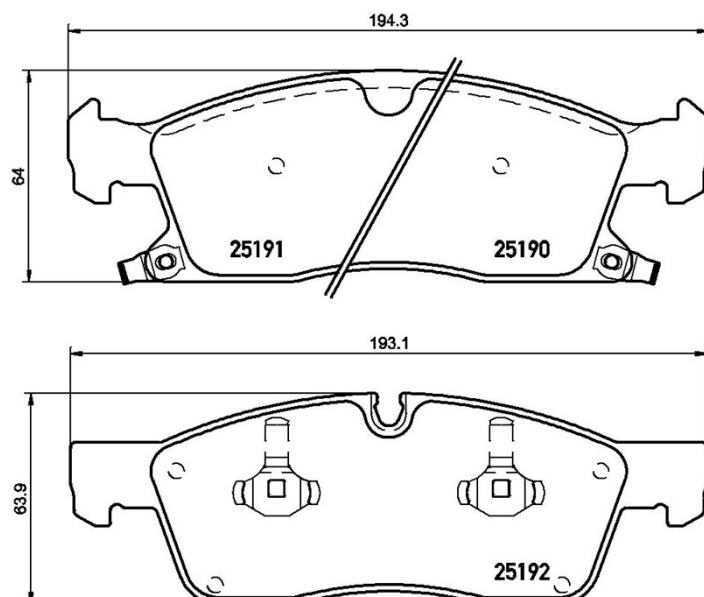
Altezza
63,9 - 64 mm

Sistema frenante
Teves

Accessori

Indicatore di Usura
Acustico

Codice EAN
8020584103173



Veicoli compatibili

JEEP

Modello	Tipo	kW	Anno
GRAND CHEROKEE IV (WK, WK2)	3.0 4x4	175	09/14 -
GRAND CHEROKEE IV (WK, WK2)	3.0 CRD	179	09/13 -
GRAND CHEROKEE IV (WK, WK2)	3.0 CRD V6 4x4	160	01/11 -
GRAND CHEROKEE IV (WK, WK2)	3.0 CRD V6 4x4	140	02/11 -
GRAND CHEROKEE IV (WK, WK2)	3.0 CRD V6 4x4	177	02/11 -
GRAND CHEROKEE IV (WK, WK2)	3.0 CRD V6 4x4	184	07/13 -
GRAND CHEROKEE IV (WK, WK2)	3.0 TD V6 4x4	179	04/14 -
GRAND CHEROKEE IV (WK, WK2)	3.0 V6 4x4	172	06/13 -
GRAND CHEROKEE IV (WK, WK2)	3.6 V6	209	11/10 -

GRAND CHEROKEE IV (WK, WK2)	3.6 V6 4x4	207	11/10 -
GRAND CHEROKEE IV (WK, WK2)	3.6 V6 4x4	210	11/10 -
GRAND CHEROKEE IV (WK, WK2)	3.6 V6 FlexFuel 4x4	210	11/10 -
GRAND CHEROKEE IV (WK, WK2)	5.7 V8 4x4	259	11/10 -
GRAND CHEROKEE IV (WK, WK2)	6.4 SRT8 4x4	344	03/11 -

Codici OE

Codici OE compatibili

CHRYSLER	00K68052370AB
JEEP	00K68052370AA
JEEP	00K68052370AB
JEEP	68052370AA
JEEP	68052370AB