

Dati tecnici pastiglie

Assale
Posteriore

WVA
24545

Larghezza
110,4 mm

Spessore
17,9 mm

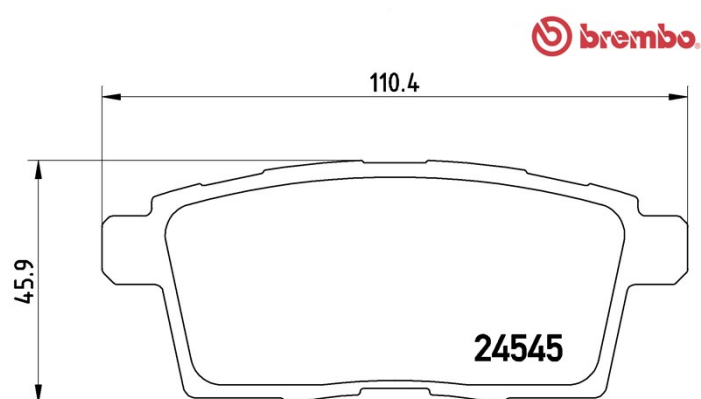
Altezza
45,9 mm

Sistema frenante
Akebono

Accessori

Indicatore di Usura
Senza

Codice EAN
8020584061015



Veicoli compatibili

FORD USA

Modello	Tipo	kW	Anno
EDGE (U387)	3.5	213	01/10 12/15
EDGE (U387)	3.5	198	08/06 -
EDGE (U387)	3.5 AWD	213	01/10 -
EDGE (U387)	3.5 AWD	198	08/06 -

LINCOLN

Modello	Tipo	kW	Anno
MKX	3.7	227	09/10 -
MKX	3.7 AWD	227	09/10 -

MAZDA

Modello	Tipo	kW	Anno
CX-7 (ER)	2.2 MZR-CD AWD	136	09/09 03/13
CX-7 (ER)	2.2 MZR-CD AWD	120	01/12 03/13
CX-7 (ER)	2.2 MZR-CD AWD	127	07/09 03/13

CX-7 (ER)	2.3	182	06/06 12/12
CX-7 (ER)	2.3 AWD	182	06/06 12/12
CX-7 (ER)	2.3 DISi	177	06/06 06/09
CX-7 (ER)	2.3 MZR DISi Turbo	175	01/07 03/13
CX-7 (ER)	2.3 MZR DISi Turbo AWD	175	06/06 12/14
CX-7 (ER)	2.3 MZR DISi Turbo AWD	191	06/09 03/13
CX-7 (ER)	2.3 MZR DISi Turbo AWD	190	10/07 08/09
CX-7 (ER)	2.5 MZR	120	07/09 03/13
CX-9 (TB)	3.5	193	09/06 12/07
CX-9 (TB)	3.5 AWD	193	01/07 -
CX-9 (TB)	3.7	204	01/07 -
CX-9 (TB)	3.7 AWD	204	01/07 -
CX-9 (TB)	3.7 AWD	197	11/12 -
MPV III (LY)	2.3	120	02/06 -
MPV III (LY)	2.3	122	02/06 -
MPV III (LY)	2.3 4WD	120	02/06 -
MPV III (LY)	2.3 4WD	180	02/06 -

MAZDA (FAW)

Modello	Tipo	kW	Anno
8 MPV	2.3	113	12/10 12/12

Codici OE

Codici OE compatibili

FORD	7T412200AA
FORD	7T4Z2200A
FORD	7T4Z2V200AA
FORD	7U2J2C453AA
FORD	8T4Z2200A
MAZDA	EHY42643Z
MAZDA	EHY42648Z
MAZDA	EHY52643ZA
MAZDA	L2Y62643Z

MAZDA L2Y62648Z

MAZDA L2Y72643Z

MAZDA L2Y72648ZA

MAZDA L2Y82643ZA

MAZDA L2Y82643ZB

MITSUBISHI L2Y62649Z

MITSUBISHI L2Y72648Z
