

Pastiglie
P 59 009



Dati tecnici pastiglie

Assale

Anteriore

WVA

20976, 21225, 21226

Larghezza

112 mm

Spessore

17,5 mm

Altezza

60 mm

Sistema frenante

Teves

Accessori

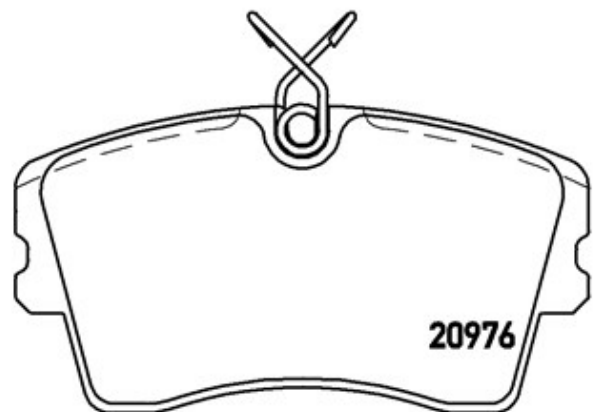
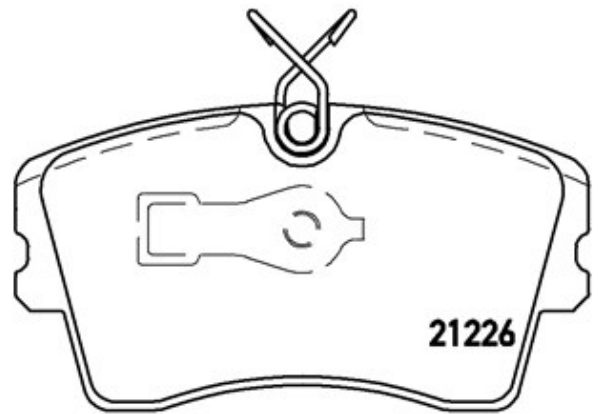
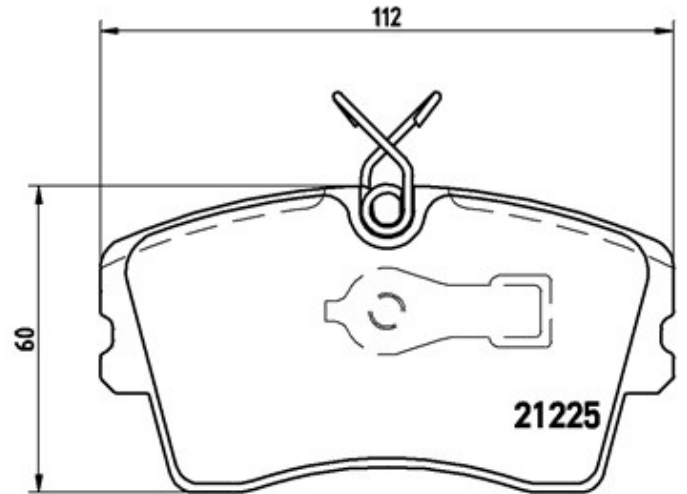
Con bulloni pinza freno

Indicatore di Usura

Predisposto

Codice EAN

8020584055403



Veicoli compatibili

OPEL

Modello	Tipo	kW	Anno
MONZA A (22_)	2.0 E	85	03/83 10/84
MONZA A (22_)	2.2 E	85	11/84 08/86
MONZA A (22_)	2.5 E	100	05/81 08/86
MONZA A (22_)	2.5 E	103	06/84 08/86
MONZA A (22_)	3.0 GSE	132	02/78 08/86
MONZA A (22_)	3.0 GSE	115	09/85 08/86
OMEGA A (V87)	3.0 (3000) (F19, M19, N19)	130	03/87 09/90
OMEGA A (V87)	3.0 (3000) (F19, M19, N19)	115	03/87 12/87
OMEGA A (V87)	3.0 (3000) Cat (F19, M19, N19)	130	03/88 03/94
OMEGA A Estate (V87)	2.6 (F35, M35)	135	09/87 04/94
OMEGA A Estate (V87)	3.0 (F35, M35)	115	03/87 03/94
OMEGA A Estate (V87)	3.0 (F35, M35)	130	03/87 09/90
OMEGA A Estate (V87)	3.0 Cat (F35, M35)	130	03/87 03/94
SENATOR A (29_)	2.0 E	85	03/83 10/84
SENATOR A (29_)	2.2 E	85	11/84 08/87
SENATOR A (29_)	2.2 TD	63	11/84 08/87
SENATOR A (29_)	2.5 E	100	01/83 08/84
SENATOR A (29_)	2.5 E	103	09/84 08/87
SENATOR A (29_)	3.0	115	09/85 08/87
SENATOR A (29_)	3.0 E	132	02/78 12/86
SENATOR B (V88)	2.5 i (P19)	103	09/90 09/93
SENATOR B (V88)	3.0 (P19)	130	01/88 09/90
SENATOR B (V88)	3.0 (P19)	115	09/87 09/93
SENATOR B (V88)	3.0 i Cat (P19)	130	01/88 09/93

VAUXHALL

Modello	Tipo	kW	Anno
CARLTON Mk III Estate (V87)	2.6 i	110	09/90 03/94
CARLTON Mk III Estate (V87)	3.0	130	03/87 03/94
CARLTON Mk III Saloon (V87)	2.6 i	110	09/90 03/94
CARLTON Mk III Saloon (V87)	3.0 3000	130	03/87 09/90

CARLTON MkIII Saloon (V87)	3000 Cat	130	03/88 03/94
SENATOR	2.5 i	103	09/84 08/87
SENATOR	3.0 i	132	09/84 12/86
SENATOR MkII (B) (V88)	2.5 i	103	09/87 10/90
SENATOR MkII (B) (V88)	3.0	130	01/88 09/90
SENATOR MkII (B) (V88)	3.0 i Cat	130	01/88 09/93

Codici OE

Codici OE compatibili

OPEL	1605612
OPEL	1605681
OPEL	1605760
OPEL	1605790
OPEL	1605798
OPEL	90398761
VAUXHALL	90348210