

Dati tecnici pastiglie

Assale
Posteriore

WVA
23361, 23362, 23363

Larghezza
107,8 mm

Spessore
15 mm

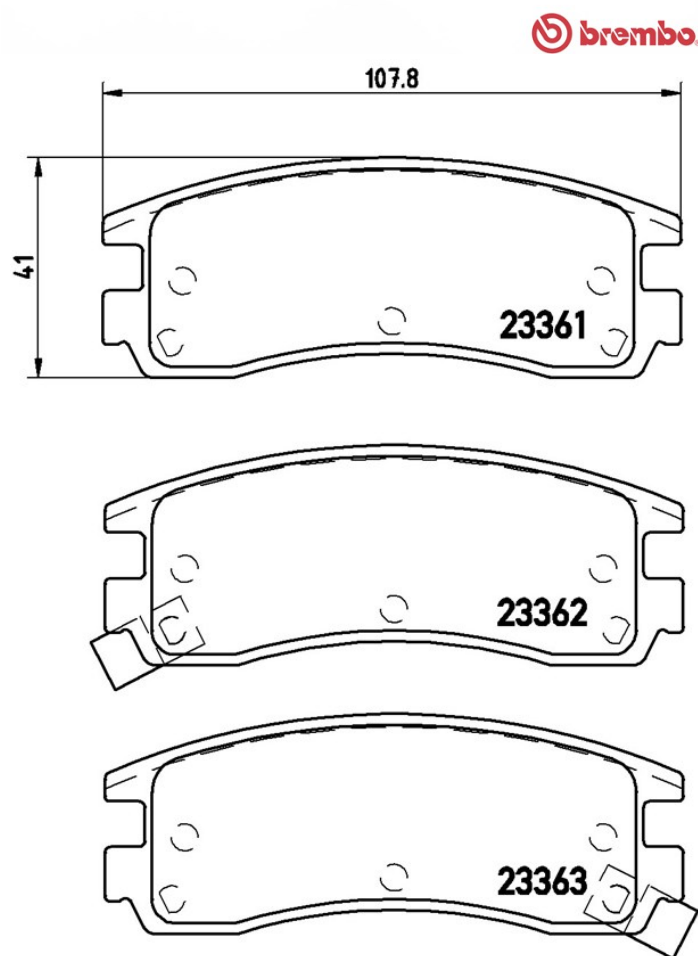
Altezza
41 mm

Sistema frenante
Akebono

Accessori

Indicatore di Usura
Acustico

Codice EAN
8020584055588



Veicoli compatibili

BUICK

Modello	Tipo	kW	Anno
CENTURY Saloon	3.1	130	10/96 02/05
REGAL	3.1	101	10/91 09/93
REGAL	3.1	119	10/93 09/97
REGAL	3.8	112	10/91 09/94

REGAL	3.8	127	10/91 09/94
REGAL	3.8	150	10/91 09/97
REGAL (4WF_)	3.8	149	10/02 09/04
REGAL (4WF_)	3.8	153	10/97 10/04
RIVIERA Coupe	3.8	153	09/94 12/99
BUICK (SGM)			
Modello	Tipo	kW	Anno
CENTURY	3.0	126	07/99 12/02
REGAL I	2.0	91	02/03 12/08
REGAL I	2.5	112	12/02 12/08
REGAL I	3.0	126	10/02 05/06
CADILLAC			
Modello	Tipo	kW	Anno
DEVILLE	4.6	224	09/95 09/99
DEVILLE	4.6	205	09/96 09/99
DEVILLE	4.6	224	10/99 09/04
DEVILLE	4.6	205	10/99 12/05
ELDORADO Coupe	4.6	205	10/93 09/02
ELDORADO Coupe	4.6	220	09/91 09/94
ELDORADO Coupe	4.6	224	09/94 09/02
SEVILLE	4.6	220	10/00 09/04
SEVILLE	4.6 SLS V8	205	09/97 09/04
SEVILLE	4.6 STS V8	224	09/97 09/04
SEVILLE (6K_)	4.6	202	06/92 09/93
SEVILLE (6K_)	4.6	220	06/92 09/97
SEVILLE (6K_)	4.6	205	10/93 09/97
SEVILLE (6K_)	4.6	224	10/93 09/97
SEVILLE II (K)	4.9	150	10/90 09/91
SEVILLE II (K)	4.9	149	10/90 12/91
CHEVROLET			
Modello	Tipo	kW	Anno
ALERO	2.2	104	12/01 09/04

ALERO	2.4 16V	104	03/99 09/04
ALERO	3.4 V6	130	03/99 09/04
IMPALA Saloon	3.4 V6	134	01/99 12/05
IMPALA Saloon	3.8	179	06/03 05/05
IMPALA Saloon	3.8 V6	149	01/99 12/05
IMPALA Saloon	5.7	212	10/99 05/05
MONTE CARLO Coupe	3.8	149	09/99 12/05
TRANS SPORT	3.4	137	08/96 09/05
TRANS SPORT	3.4 V6	138	10/00 09/05
TRANS SPORT	3.4 V6 AWD	138	10/01 09/05
VENTURE	3.4	130	04/98 09/04
MEGA			
Modello	Tipo	kW	Anno
MONTE CARLO	6.0 V12	290	01/98 -
OLDSMOBILE			
Modello	Tipo	kW	Anno
CUTLASS SUPREME Saloon	3.1	119	10/93 09/97
INTRIGUE Saloon	3.5	160	09/98 12/02
INTRIGUE Saloon	3.8	145	09/97 12/99
OPEL			
Modello	Tipo	kW	Anno
SINTRA (APV)	2.2 DTI	85	07/97 04/99
SINTRA (APV)	2.2 i 16V (OUN16, Y94)	104	11/96 04/99
SINTRA (APV)	3.0 i 24V (OUN16, Y94)	148	11/96 04/99
PONTIAC			
Modello	Tipo	kW	Anno
AZTEK	3.4	138	09/00 08/05
AZTEK	3.4 All-wheel Drive	138	09/00 08/05
GRAND PRIX VI Coupe	3.1	119	09/96 12/97
GRAND PRIX VI Coupe	3.8 GT	145	07/96 07/99
GRAND PRIX VI Coupe	3.8 GT	149	08/99 12/03
GRAND PRIX VI Coupe	3.8 GT Power	179	07/96 12/03

GRAND PRIX VI Saloon	3.1	119	07/96 07/99
GRAND PRIX VI Saloon	3.1	131	08/99 12/03
GRAND PRIX VI Saloon	3.8	145	07/96 07/99
GRAND PRIX VI Saloon	3.8	149	08/99 12/03
GRAND PRIX VI Saloon	3.8 GT Power	179	07/96 12/03
MONTANA	3.4	138	04/98 08/05
MONTANA	3.4 AWD	138	04/98 08/05
TRANS SPORT	3.4	134	03/97 09/98
TRANS SPORT	3.4	137	09/98 12/99

SATURN

Modello	Tipo	kW	Anno
SL Saloon	1.9	92	09/90 12/96

VAUXHALL

Modello	Tipo	kW	Anno
SINTRA (APV)	2.2 DTI	85	07/97 04/99
SINTRA (APV)	2.2 i 16 V	104	11/96 04/99
SINTRA (APV)	3.0 i 24V	148	11/96 04/99

Codici OE

Codici OE compatibili

BUICK	12510037
BUICK	18021692
CADILLAC	18029644
CADILLAC	19152665
CHEVROLET	18029844
OPEL	1605939
OPEL	18023377
PONTIAC	12510016
PONTIAC	12510048
SATURN	21010593
SATURN	21013126