

Dati tecnici pastiglie

Assale
Anteriore

WVA
20905, 20906

Larghezza
105 mm

Spessore
18 mm

Altezza
54,3 mm

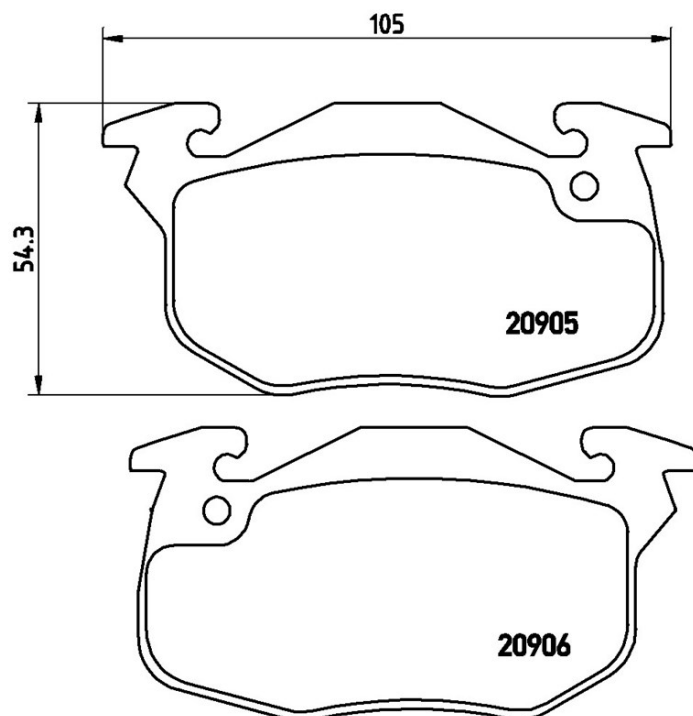
Sistema frenante
Bendix

Accessori

Indicatore di Usura
Predisposto

Codice EAN
8020584061756





Veicoli compatibili

CITROËN

Modello	Tipo	kW	Anno
SAXO (S0, S1)	1.0 X	33	05/96 11/98
SAXO (S0, S1)	1.0 X	37	05/98 06/03
SAXO (S0, S1)	1.1 X,SX	40	05/96 09/03
SAXO (S0, S1)	1.1 X,SX	44	05/96 09/03
SAXO (S0, S1)	1.5 D	43	07/01 04/04
SAXO (S0, S1)	1.5 D	42	09/96 06/01
SAXO (S0, S1)	1.5 D	40	09/96 09/03

SAXO (S0, S1)	Electric	20	11/96 06/03
SAXO Hatchback van (S3_)	1.5 D	43	07/01 06/03
MAPLE (SMA)			
Modello	Tipo	kW	Anno
HISOON Hatchback (SMA71_)	1.5 GX (SMA7150)	69	08/02 12/10
HISOON Hatchback (SMA71_)	1.5 LPG	69	01/07 12/10
PEUGEOT			
Modello	Tipo	kW	Anno
106 I (1A, 1C)	1.0	33	09/91 04/96
106 I (1A, 1C)	1.0	37	09/91 04/96
106 I (1A, 1C)	1.1	44	09/91 04/96
106 I (1A, 1C)	1.3	72	10/93 04/96
106 I (1A, 1C)	1.4	51	08/91 03/96
106 I (1A, 1C)	1.4	72	08/91 03/96
106 I (1A, 1C)	1.4	55	09/91 04/96
106 I (1A, 1C)	1.4	69	09/91 04/96
106 I (1A, 1C)	1.4 D	37	09/92 04/96
106 I (1A, 1C)	1.5 D	40	06/94 04/96
106 I (1A, 1C)	1.5 D	43	06/94 04/96
106 I (1A, 1C)	1.6	76	01/94 04/96
106 I (1A, 1C)	1.6	65	06/93 04/96
106 II (1A_, 1C_)	1.0 i	37	04/96 03/01
106 II (1A_, 1C_)	1.0 i	33	05/96 10/99
106 II (1A_, 1C_)	1.1 i	40	01/97 03/01
106 II (1A_, 1C_)	1.1 i	44	05/96 07/04
106 II (1A_, 1C_)	1.4 i	55	05/96 07/04
106 II (1A_, 1C_)	1.5 D	42	04/98 07/04
106 II (1A_, 1C_)	1.5 D	40	05/96 03/01
106 II (1A_, 1C_)	Electric	20	04/96 07/04
106 Van II Box Body / Hatchback (1S_)	1.0	33	04/96 03/01
106 Van II Box Body / Hatchback (1S_)	1.5 D	40	05/96 03/01
106 Van II Box Body / Hatchback (1S_)	1.5 D	42	06/96 03/01

106 Van II Box Body / Hatchback (1S_)	Electric	20	04/96 03/01
306 (7B, N3, N5)	1.1	44	06/94 05/01
306 (7B, N3, N5)	1.4 SL	55	06/94 05/01
306 Hatchback (7A, 7C, N3, N5)	1.1	44	05/93 05/01
306 Hatchback (7A, 7C, N3, N5)	1.4	55	04/93 07/01

Codici OE

Codici OE compatibili

CITROËN	425137
CITROËN	425147
CITROËN	425483
CITROËN	425498
CITROËN	E172150
PEUGEOT	425137
PEUGEOT	425147
PEUGEOT	425483