

Dati tecnici pastiglie

Assale
Posteriore

WVA
22604, 22605

Larghezza
123,2 mm

Spessore
14,5 mm

Altezza
48 - 52 mm

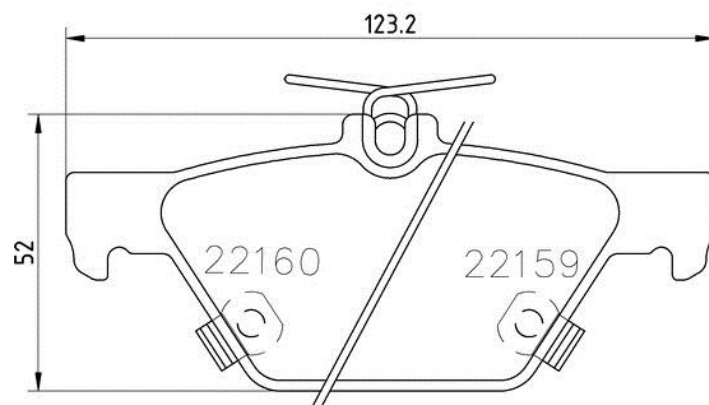
Sistema frenante
Akebono

Accessori

Indicatore di Usura
Acustico

Codice EAN
8020584086971





Veicoli compatibili

SUBARU

| Modello | Tipo | kW | Anno |
|-------------------------|-----------------|-----|---------|
| IMPREZA Hatchback (GT_) | 1.6 i (GT3) | 84 | 07/17 - |
| IMPREZA Hatchback (GT_) | 2.0 i AWD (GT7) | 115 | 10/16 - |
| IMPREZA Saloon (GK_) | 1.6 (GK2) | 85 | 10/16 - |
| IMPREZA Saloon (GK_) | 1.6 AWD (GK3) | 85 | 10/16 - |
| IMPREZA Saloon (GK_) | 2.0 i (GK6) | 113 | 10/16 - |
| IMPREZA Saloon (GK_) | 2.0 i AWD | 113 | 10/16 - |
| IMPREZA Saloon (GK_) | 2.0 i AWD (GK7) | 115 | 10/16 - |
| LEGACY VI (BN, BS) | 2.0 DIT AWD | 177 | 11/15 - |

| | | | |
|--------------------|-----------------|-----|---------|
| LEGACY VI (BN, BS) | 2.5 i AWD (BN9) | 129 | 01/15 - |
| LEGACY VI (BN, BS) | 3.6 i AWD (BNF) | 191 | 01/15 - |
| LEVORG | 1.6 AWD | 125 | 09/15 - |
| LEVORG | 2.0 AWD | 221 | 03/15 - |
| OUTBACK (BS) | 2.0 D AWD (BSD) | 110 | 03/15 - |
| OUTBACK (BS) | 2.5 AWD (BS9) | 129 | 03/15 - |
| WRX Saloon (GJ) | 2.0 AWD | 221 | 04/16 - |
| XV (GT) | 1.6 i AWD (GT3) | 84 | 08/17 - |

Codici OE

Codici OE compatibili

| | |
|--------|------------|
| SUBARU | 26696AL000 |
|--------|------------|