

# Tamburo 14.5604.10

 **brembo**  
AFTERMARKET

## Dati tecnici tamburo

**Assale** Posteriore

**Diametro** (Ø)  
180,00 mm

**Diametro max** (Diametro max)  
181,00 mm

**Diametro max**  
181,00 mm

**Larghezza**  
53,50 mm

**Diametro di centraggio** (B)  
52 mm

**Altezza complessiva** (C)  
79,50 mm

**Numero fori** (D)  
4,00

**Kit cuscinetto**

**Codice EAN**  
8020584560419



 **brembo**

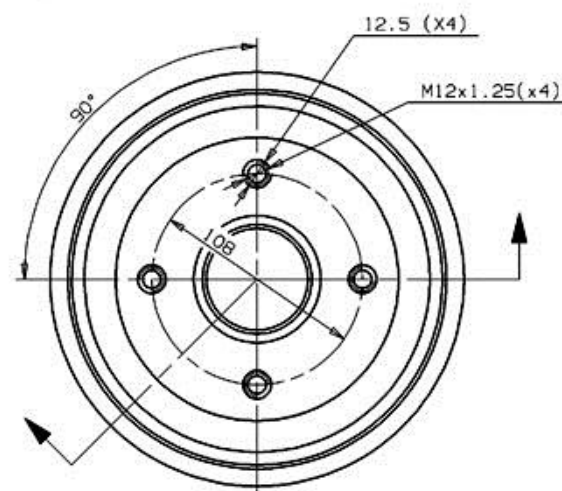
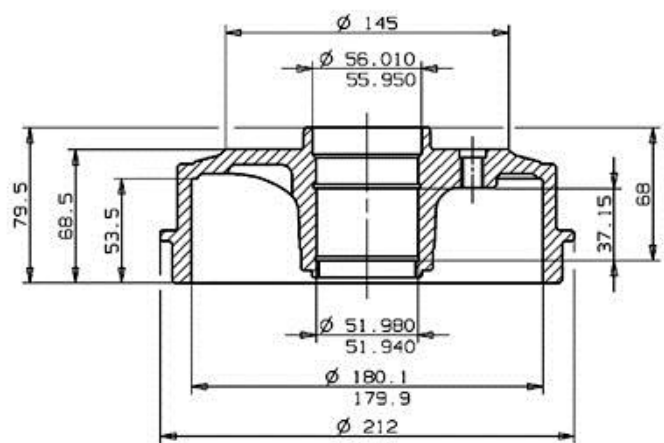


PEUGEOT P.N.: 4247.30

14.5604.10

CUSTOMER P.N.: .....

Date 29.01.97



Max. DIA. 181 mm  
Weight 4.2 Kg

## Veicoli compatibili

### PEUGEOT

Modello	Tipo	kW	Anno
205 Box	1.7 Diesel	44	03/94 05/97
205 I (741AC)	1.6 GTI	76	12/84 10/87

205 I (741A/C)	1.9 GTI	75	03/87 10/87
205 I Convertible (741B, 20D)	1.6 CTI	76	04/86 10/90
205 I Convertible (741B, 20D)	1.9 CTI	74	08/87 07/90
205 I Convertible (741B, 20D)	1.9 CTI	75	10/87 12/94
205 II (20A/C)	1.3 Rallye	74	10/87 10/90
205 II (20A/C)	1.6 GTI	76	10/87 12/89
205 II (20A/C)	1.6 GTI	85	10/87 12/89
205 II (20A/C)	1.6 GTX	69	01/87 10/91
205 II (20A/C)	1.8 TD	57	01/90 09/98
205 II (20A/C)	1.8 XDT	58	08/90 05/97
205 II (20A/C)	1.9 GTI	75	10/87 05/89
205 II (20A/C)	1.9 GTI Cat	75	10/87 07/94
309 I (10C, 10A)	1.1	40	10/85 07/89
309 I (10C, 10A)	1.3	47	10/85 07/89
309 I (10C, 10A)	1.4	49	03/89 07/89
309 I (10C, 10A)	1.4	55	03/89 07/89
309 I (10C, 10A)	1.4	62	08/88 08/89
309 I (10C, 10A)	1.5	63	06/87 12/89
309 I (10C, 10A)	1.6	69	01/86 07/89
309 I (10C, 10A)	1.6	83	07/86 06/89
309 I (10C, 10A)	1.6	53	08/87 07/89
309 I (10C, 10A)	1.6	55	10/85 07/89
309 I (10C, 10A)	1.6	59	10/85 07/89
309 I (10C, 10A)	1.6	76	11/85 09/88
309 I (10C, 10A)	1.6 Cat	55	09/86 12/89
309 I (10C, 10A)	1.9	72	03/86 07/89
309 I (10C, 10A)	1.9	80	07/88 07/89
309 I (10C, 10A)	1.9	75	10/85 07/89
309 I (10C, 10A)	1.9 D	47	06/86 07/89
309 II (3C, 3A)	1.1	44	08/90 12/93
309 II (3C, 3A)	1.1	40	09/89 10/93

309 II (3C, 3A)	1.4	55	07/89 12/93
309 II (3C, 3A)	1.4	49	07/90 12/93
309 II (3C, 3A)	1.6	65	07/89 12/93
309 II (3C, 3A)	1.6	68	07/89 12/93
309 II (3C, 3A)	1.6	69	07/89 12/93
309 II (3C, 3A)	1.8 Diesel	44	07/89 12/93
309 II (3C, 3A)	1.8 TD	57	08/89 12/93
309 II (3C, 3A)	1.9	72	08/89 12/93
309 II (3C, 3A)	1.9	80	10/90 12/93
309 II (3C, 3A)	1.9 Diesel	47	07/89 12/93

## Codici OE

### Codici OE compatibili

PEUGEOT 424727

PEUGEOT 424730