

# Tamburo 14.5606.10

 **brembo**  
AFTERMARKET

## Dati tecnici tamburo

**Assale** Posteriore

**Diametro** (Ø)  
180,00 mm

**Diametro max** (Diametro max)  
181,00 mm

**Diametro max**  
181,00 mm

**Larghezza**  
39,00 mm

**Diametro di centraggio** (B)  
42-47 mm

**Altezza complessiva** (C)  
64,50 mm

**Numero fori** (D)  
3,00

**Kit cuscinetto**

**Codice EAN**  
8020584560617

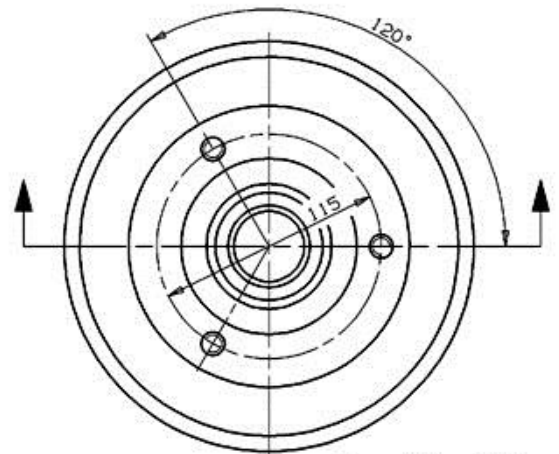
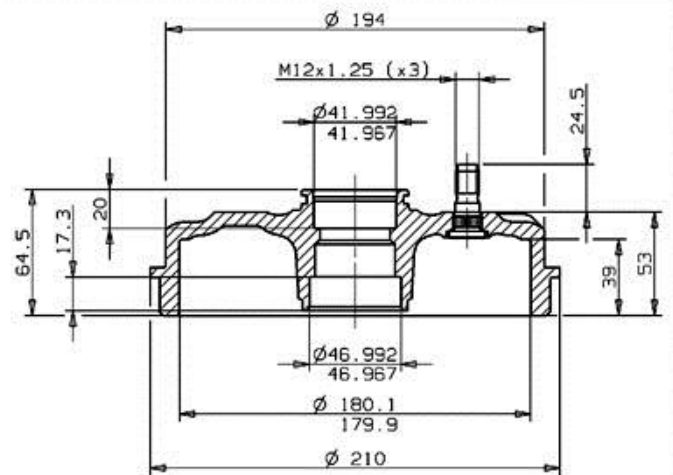


 **brembo**



TALBOT	P.N.: ZF 4247.21
PEUGEOT	P.N.: 4247.21
CITROËN	P.N.: 91502484
CUSTOMER	P.N.: .....

<b>14.5606.10</b>
Date   13.01.97



Max. DIA. 181 mm  
Weight 3.7 Kg

## Veicoli compatibili

### CITROËN

Modello	Tipo	kW	Anno
LNA	0.6	25	07/82 04/85
LNA	0.6	24	11/76 07/79

LNA	0.6	26	11/78 07/86
LNA	1.0	33	07/84 10/86
LNA	1.1	37	07/82 04/85
VISA	0.6	24	07/82 03/91
VISA	0.6	25	09/78 06/88
VISA	1.0	33	09/84 06/88
VISA	11 E	37	07/82 03/91
VISA	11 E	42	09/78 03/91
VISA	11 E	35	09/78 06/88
VISA	14	44	07/84 03/91
VISA	14 GT	55	03/82 03/87
VISA	14 GT	58	03/82 03/91
VISA	II Super X	47	07/80 06/82
VISA Convertible	11 RE	37	03/83 10/88

## PEUGEOT

Modello	Tipo	kW	Anno
104	0.9	33	10/79 10/83
104	1.0	32	09/83 06/88
104	1.1	42	07/76 08/82
104	1.1	37	08/80 06/88
104	1.2	42	08/79 06/83
104	1.4	53	08/79 06/83
104 Coupe	0.9	33	09/73 10/83
104 Coupe	1.1	49	08/75 06/80
104 Coupe	1.1	42	08/79 06/83
104 Coupe	1.1	37	08/79 06/88
104 Coupe	1.4	53	08/79 06/84

## TALBOT

Modello	Tipo	kW	Anno
SAMBA (51A)	0.9	31	01/81 12/85
SAMBA (51A)	1.1	37	01/81 06/86
SAMBA (51A)	1.2 Rallye	65	01/83 10/86

SAMBA (51A)	1.4	53	01/81 06/86
SAMBA (51A)	1.4	44	06/83 10/86
SAMBA (51A)	1.4 Rallye	58	01/83 10/86
SAMBA Convertible (51E)	1.4	58	01/81 06/86

## Codici OE

### Codici OE compatibili

CITROËN	91502484
PEUGEOT	424721
TALBOT	9150248480