

Tamburo 14.5610.10



Dati tecnici tamburo

Assale Posteriore

Diametro (Ø)
228,00 mm

Diametro max (Diametro max)
230,00 mm

Diametro max
230,00 mm

Larghezza
57,50 mm

Diametro di centraggio (B)
115 mm

Altezza complessiva (C)
84,00 mm

Numero fori (D)
5,00

Kit cuscinetto

Codice EAN
8020584561010

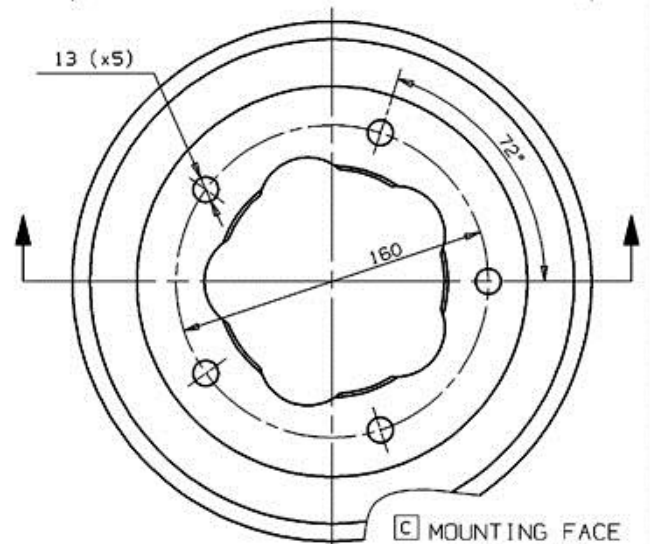
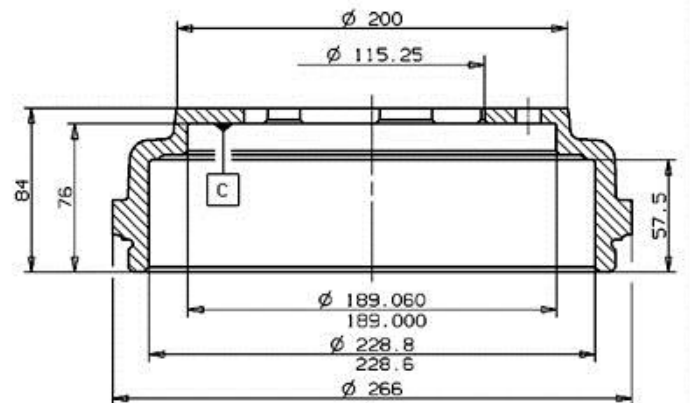


FORD P.N.: 6 167 629

14.5610.10

CUSTOMER P.N.:

Date 20.01.97



□ MOUNTING FACE
Max. DIA. 230 mm
Weight 6.6 Kg

Veicoli compatibili

FORD

Modello	Tipo	kW	Anno
P 100 II	1.8 TD	55	10/87 12/92
P 100 II	2.0	57	10/87 12/92

TRANSIT Box (T__)	1.6 (TAS)	46	09/85 09/92
TRANSIT Box (T__)	2.0	56	10/85 03/91
TRANSIT Box (T__)	2.0 (TAL, TAS, TGL, TWS)	57	09/85 09/92
TRANSIT Box (T__)	2.5 D (TAL, TAS, TGL, TWS)	50	01/86 09/91
TRANSIT Box (T__)	2.5 D (TAL, TAS, TGL, TWS)	52	10/88 09/91
TRANSIT Bus (T__)	1.6 (TBL, TES)	46	12/85 01/89
TRANSIT Bus (T__)	2.0 (TBS, TCL, TCS, TEL, TES)	57	11/85 09/92
TRANSIT Bus (T__)	2.0 Cat (TBS, TCL, TCS)	57	12/85 09/92
TRANSIT Bus (T__)	2.0 L	56	10/85 03/91
TRANSIT Bus (T__)	2.5 D (TBS, TCL, TCS, TEL, TES)	50	12/85 01/89
TRANSIT Bus (T__)	2.5 D (TBS, TEL, TES)	52	09/88 09/92
TRANSIT Platform/Chassis (T__)	2.0 (TTE, TTL, TTS)	57	01/86 09/92
TRANSIT Platform/Chassis (T__)	2.0 Cat (TUL)	57	11/85 09/92
TRANSIT Platform/Chassis (T__)	2.5 D (TTL, TTS, TUL, TUS, TTE)	50	01/86 01/89
TRANSIT Platform/Chassis (T__)	2.5 DI (TTE, TTL, TTS, TUL)	52	09/88 09/92

Codici OE

Codici OE compatibili

FORD

6167629