

## Dati tecnici tamburo

**Assale** Posteriore

**Diametro (Ø)**  
180,00 mm

**Diametro max** (Diametro max)  
181,20 mm

**Diametro max**  
181,20 mm

**Larghezza**  
49,00 mm

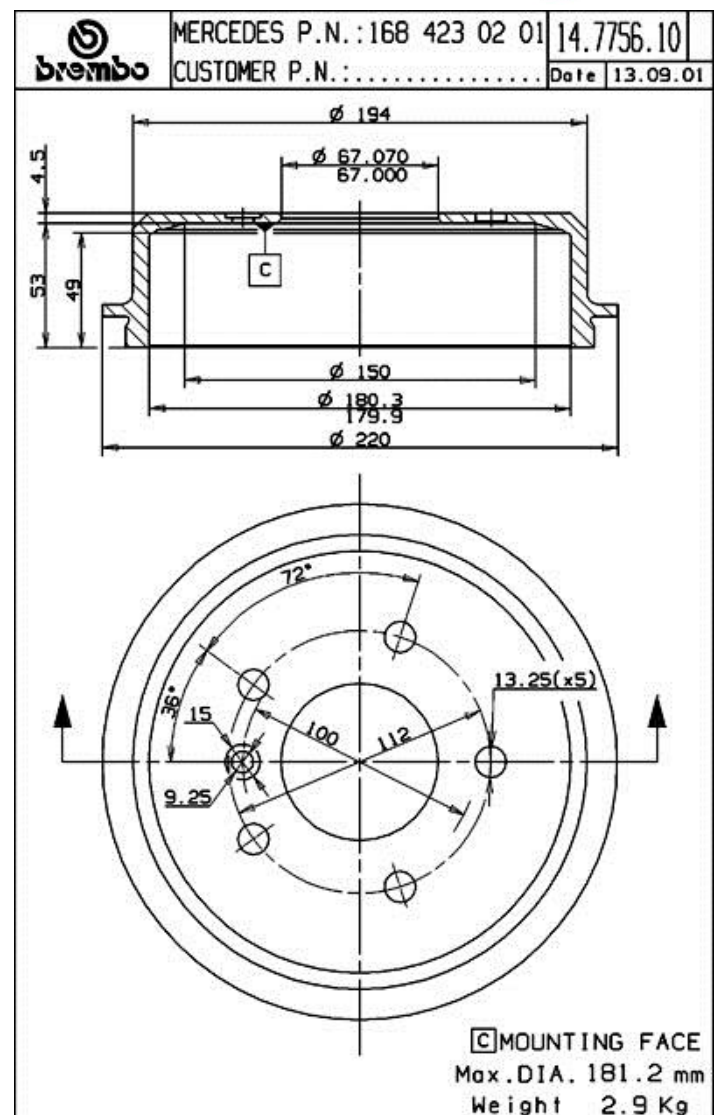
**Diametro di centraggio (B)**  
67 mm

**Altezza complessiva (C)**  
57,50 mm

**Numero fori (D)**  
5,00

**Kit cuscinetto**

**Codice EAN**  
8020584775615



## Veicoli compatibili

### MERCEDES-BENZ

Modello	Tipo	kW	Anno
A-CLASS (W168)	A 140 (168.031, 168.131)	60	01/01 08/04
A-CLASS (W168)	A 140 (168.031, 168.131)	60	07/97 08/04

A-CLASS (W168)	A 160 (168.033, 168.133)	75	07/97 08/04
A-CLASS (W168)	A 160 CDI (168.006)	55	02/01 08/04
A-CLASS (W168)	A 160 CDI (168.007)	44	07/98 02/01
A-CLASS (W168)	A 170 CDI (168.008)	66	07/98 02/01
A-CLASS (W168)	A 170 CDI (168.009, 168.109)	70	02/01 08/04
A-CLASS (W168)	A 190 (168.032, 168.132)	92	03/99 08/04
A-CLASS (W168)	A 210 (168.035, 168.135)	103	12/01 08/04

## Codici OE

### Codici OE compatibili

MERCEDES-BENZ

1684230201