



BRAKE PAD PRIME CERAMIC P37019N

The P37019N NAO brake pad is synonymous with reliability

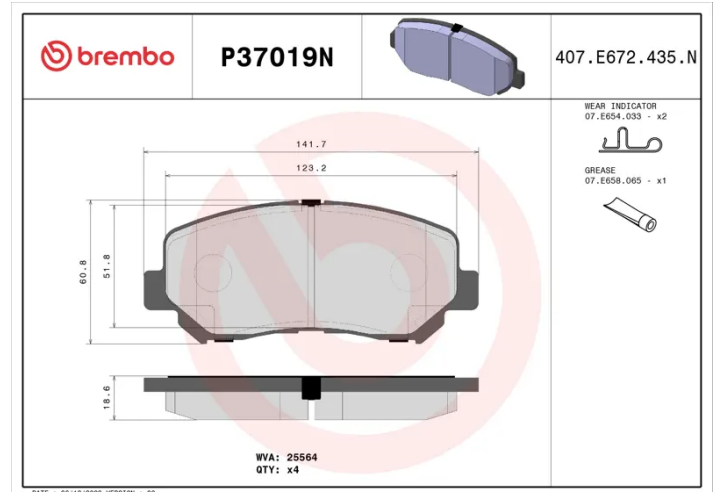
Brembo NAO brake pads stand out for their ultimate braking comfort, reduced friction wear and low dust mission, which makes for cleaner rims and reduced maintenance requirements. The advanced friction material in keeping with the strictest environmental standards is the main distinguishing feature of NAO compounds.

- ✓ OE-equivalent
- ✓ Brembo quality
- ✓ Safety
- ✓ Comfort
- ✓ Durability
- ✓ Dust reduction
- ✓ With accessories



Technical specifications

EAN code 8020584081754	Axle Front	Thickness 19 mm
Width 142 mm	Height 61 mm	Braking system Akebono
Wear indicator Acoustic	WVA number 25564	Accessories With anti-squeal shim



COMPATIBLE VEHICLES

COMPATIBLE OE PART NUMBERS

00K68240669AB CHRYSLER

68240669AA CHRYSLER

68240669AB CHRYSLER

K68160695AA CHRYSLER

00K68225170AA JEEP

00K68225170AB JEEP

00K68225170AC JEEP

00K68225170AD JEEP

00K68225170AE JEEP

2AMV1170AC JEEP

2AMV1170AD JEEP

68225170AA JEEP

68225170AB JEEP

68225170AC JEEP

68225170AD JEEP

68225170AE JEEP

68225170AF JEEP

68518750AA JEEP

K68225170AA JEEP

K68225170AB JEEP

K68225170AC JEEP

2AMV1170AC JEEP (GAC FCA)

68225170AD JEEP (GAC FCA)

V1015170AC JEEP (GAC FCA)
