



BRAKE PAD

P 23 144

The P 23 144 brake pad is synonymous with reliability

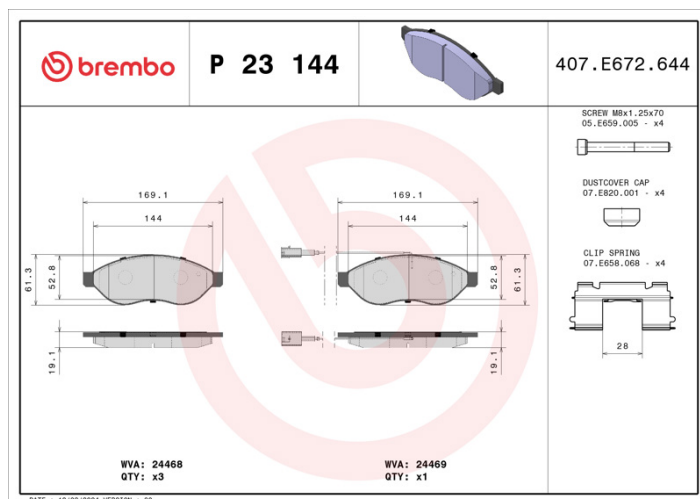
The Brembo brake pad guarantees ultimate safety when braking thanks to the use of more than 100 different compounds, designed according to the type of vehicle and use. Stopping distances reduced to a minimum, maximum driving comfort and silent operation are the most important features of Brembo materials. Brembo brake pads are supplied together with an extensive range of accessories and assembly kits for professional-standard installation.

- ✓ OE-equivalent
- ✓ Brembo quality
- ✓ ECE-R90 certificate
- ✓ Safety
- ✓ Performance
- ✓ Comfort
- ✓ With accessories



Technical specifications

EAN code 8020584108833	Axle Front	Thickness 19 mm
Width 169 mm	Height 62 mm	Braking system Brembo
Wear indicator Electric	WVA number 24468,24469	Accessories With accessories With brake caliper bolts



COMPATIBLE VEHICLES

COMPATIBLE OE PART NUMBERS

1411457380 CITROËN

1612433980 CITROËN

425357 CITROËN

425358 CITROËN

425462 CITROËN

6001073131 FIAT

71770032 FIAT

71773146 FIAT

77364160 FIAT

77366018 FIAT

77366019 FIAT

77366020 FIAT

77367091 FIAT

1647863980 OPEL

1607878580 PEUGEOT

1612433980 PEUGEOT

1623842480 PEUGEOT

425357 PEUGEOT

425358 PEUGEOT

425462 PEUGEOT

1647863980 VAUXHALL
