

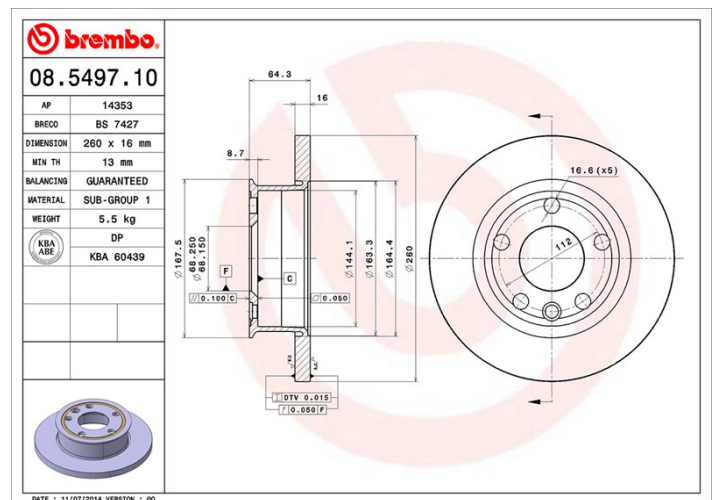
## Technische gegevens hydraulische rem

<b>As Voor</b>	<b>Diameter</b> 260 mm
<b>Totale hoogte (A)</b> 64,2 mm	<b>Diameter centreringen (B)</b> 68,1 mm
<b>Aantal gaten (C)</b> 5	<b>Dikte (TH)</b> 16 mm
<b>Minimumdikte</b> 13 mm	<b>Aanhaalmoment</b> Nm
<b>Aantal per doos</b> 2	<b>EAN-code</b> 8020584549711



## Codes merken

<b>Brembo</b> 08.5497.10	<b>AP</b> 14353	<b>Breco</b> BS 7427
-----------------------------	--------------------	-------------------------



## Technische specificaties

## Compatibele voertuigen

VW				
Model	Type	Kw	Jaar	
TRANSPORTER IV Box (70A, 70H, 7DA, 7DH)	1.9 D	45	07/90 12/95	
TRANSPORTER IV Box (70A, 70H, 7DA, 7DH)	1.9 D	44	09/90 12/95	
TRANSPORTER IV Box (70A, 70H, 7DA, 7DH)	1.9 TD	50	10/92 04/03	
TRANSPORTER IV Box (70A, 70H, 7DA, 7DH)	2.0	62	07/90 04/03	
TRANSPORTER IV Bus (70B, 70C, 7DB, 7DK, 70J, 70K, 7DC, 7DJ)	1.8	49	12/90 07/92	
TRANSPORTER IV Bus (70B, 70C, 7DB, 7DK, 70J, 70K, 7DC, 7DJ)	1.9 D	44	09/90 12/95	
TRANSPORTER IV Bus (70B, 70C, 7DB, 7DK, 70J, 70K, 7DC, 7DJ)	1.9 D	45	09/90 12/95	
TRANSPORTER IV Bus (70B, 70C, 7DB, 7DK, 70J, 70K, 7DC, 7DJ)	1.9 TD	50	10/92 04/03	

TRANSPORTER IV Bus (70B, 70C, 7DB, 7DK, 70J, 70K, 7DC, 7DJ)	2.0	62	09/90 04/03
TRANSPORTER IV Platform/Chassis (70E, 70L, 70M, 7DE, 7DL, 7D)	1.8	49	12/90 07/92
TRANSPORTER IV Platform/Chassis (70E, 70L, 70M, 7DE, 7DL, 7D)	1.9 D	45	07/90 12/95
TRANSPORTER IV Platform/Chassis (70E, 70L, 70M, 7DE, 7DL, 7D)	1.9 D	44	09/90 12/95
TRANSPORTER IV Platform/Chassis (70E, 70L, 70M, 7DE, 7DL, 7D)	1.9 TD	50	10/92 04/03
TRANSPORTER IV Platform/Chassis (70E, 70L, 70M, 7DE, 7DL, 7D)	2.0	62	07/90 04/03

## OE-codes

### Compatibele OE-codes

VW	701615301
VW	701615301C