



BRAKE DISC XTRA

08.A029.2X

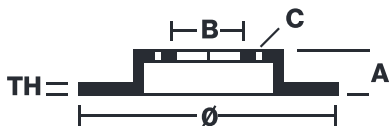
The 08.A029.2X Xtra brake disc is synonymous with reliability

The Brembo Xtra brake disc features holes on the braking surface. The holes are designed to improve the cooling of the braking system, to generate greater fading resistance and grip in the initial stages of braking. The sports look is also enhanced by the presence of the UV paint.

- ✓ Brembo quality
- ✓ ECE-R90 certificate
- ✓ Performance
- ✓ Sports driving
- ✓ Sporty look
- ✓ Anti-corrosion



Technical specifications



EAN code
8020584321546

Axle
Rear

Diameter \varnothing
265 mm

Thickness (TH)
11 mm

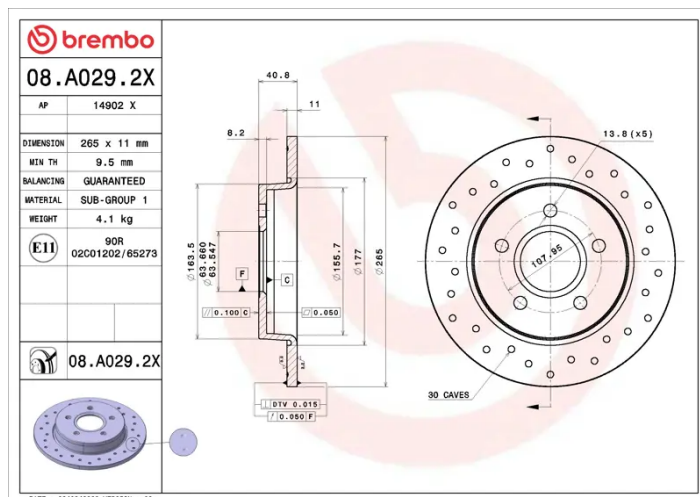
Height (A)
40,8 mm

Number of holes (C)
5

Brake disc type
Solid

Centering (B)
63,6 mm

Min. thickness
9,5 mm



COMPATIBLE VEHICLES

COMPATIBLE OE PART NUMBERS

1223540	FORD
1223543	FORD
1253727	FORD
1253728	FORD
1320347	FORD
1373360	FORD
1468946	FORD
1501061	FORD
1501068	FORD
1575733	FORD
1748745	FORD
3M512A315A1E	FORD
3M512A315AB	FORD
3M512A315AC	FORD
3M512A315AD	FORD
3M512A315AE	FORD
3M512A315CA	FORD
5M512A315BC	FORD
7M512A315FA	FORD
9M512A315BA	FORD
9M512A315BB	FORD
1364216	FORD (CHANGAN)
1771568	FORD (CHANGAN)
6M512A315AA	FORD (CHANGAN)
6M512A315AB	FORD (CHANGAN)
5M512A315BC	FORD ASIA & OCEANIA
6M512A315AA	MAZDA (CHANGAN)
BS1A26251	MAZDA (CHANGAN)